

263-34-2DR-20
263-34-2DR-21
263-34-2DR-22
263-34-2DR-27
263-34-3DR-16
263-34-3DR-23

EDIZIONE - EDITION 12/83

n. 109

ISTRUZIONI PER LA CONSULTAZIONE DEL CATALOGO

Tutti i particolari delle teste sono rappresentati in più tavole come indicato nell'indice.

Quando i particolari rappresentati in una tavola sono comuni a tutte le teste riportate nel catalogo, sulla tavola e nell'indice non sono indicati i simboli delle teste poiché sono gli stessi riportati sulla copertina.

Eventuali varianti sono rappresentate in un riquadro sulla medesima tavola, con l'indicazione delle teste a cui si riferiscono.

Quando i particolari rappresentati in una tavola non sono comuni a tutte le teste riportate nel catalogo, la tavola viene ripetuta più volte con lo stesso numero seguito da una lettera.

Sulla tavola e nell'indice (di fianco alla descrizione della tavola) sono indicate le teste interessate. Eventuali varianti sono rappresentate in un riquadro sulla medesima tavola, con l'indicazione delle teste a cui si riferiscono.

- 1) tutti i particolari non fornibili sciolti non vengono richiamati singolarmente ma soltanto illustrati nel gruppo d'appartenenza.
- 2) I numeri riguardanti le figure dei particolari che compongono il gruppo sono di norma raggruppati in una parentesi. In alcuni casi però, dove non è possibile il raggruppamento, i numeri sono affiancati dallo stesso segno particolare (es. ★▲●■ ecc.) con cui è indicato l'intero gruppo.

I particolari a richiesta rappresentati nelle tavole sono contrassegnati con la voce "A RICHIESTA".

Le teste su cui tali particolari possono essere montati sono indicate nelle descrizioni della tavola.

Per facilitare la ricerca viene riportato l'elenco di tutti i particolari illustrati sul Catalogo Base, con la relativa tavola in cui gli stessi sono richiamati.

AGHI

Gli aghi sono contraddistinti dal sistema e dalla finezza.

Il sistema dell'ago e la finezza sono marcati oltre che sulla busta, anche sull'ago stesso. Nelle ordinazioni precisare, oltre al simbolo, il sistema e la finezza degli aghi desiderati. In caso di dubbio allegare un ago campione o una bustina vuota.

IMPORTANTE

Nella richiesta di parti di ricambio citare sempre il relativo numero della testa, il numero della tavola e il simbolo del particolare con relativa descrizione usata sul catalogo.

INSTRUCTIONS TO CONSULT THE CATALOGUE

All the spare parts are illustrated in several table as indicated in the index.

When the parts illustrated in one table are common to all the heads listed in the catalogue, the symbols of the heads, have not been indicated on the table and in the index because they are listed on the cover.

Eventual variations are illustrated in a square on the same table, with the indication of the heads to whom it refers.

When the parts illustrated in one table are not common to all the heads listed in the catalogue, the table is reproduced several times with the same reference number followed by a letter.

The heads concerned have been indicated on the table and in the index (by the side of the description of the table).

Eventual variations are illustrated in a square on the same table, with the indication of the heads to whom it refers.

- 1) all parts which cannot be supplied by themselves are not indicated alone, but shown together with the group to which they belong.
- 2) The references of the pictures of the parts making up the group are usually put in brackets. In some cases, however, when their grouping is not possible, the numbers of the various parts in the tables are marked with the same particular sign (for ex ★▲●■ etc.) with which the whole group is indicated.

The parts on request illustrated on the tables have the indication "ON REQUEST".

The heads on which those parts can be fitted are indicated in the description of the table.

NEEDLES

The needles are marked with system and size.

The system and size of the needle are shown on the packet as well as on the needle itself. When ordering please state symbol, system and size. If you have doubts, enclose a sample needle or an empty packet with your order.

ATTENTION

When ordering spare parts always state the serial number of the machine, the symbol of the part in question and the description given in the catalogue.

INSTRUCTIONS POUR LA CONSULTATION DU CATALOGUE

Toutes les pièces des têtes sont représentées en plusieurs tables comme nous avons indiqué dans l'index.

Quand les pièces représentées dans une table sont communes à toutes les têtes mentionnées dans le catalogue, sur la table et dans l'index ne sont pas indiqués les symboles des têtes car ce sont les mêmes imprimés sur la couverture.

Les modifications éventuelles sont indiquées dans un panneau sur la table même avec l'indication des têtes auxquelles elles se réfèrent.

Quand les pièces représentées dans une table ne sont pas communes à toutes les têtes mentionnées dans le catalogue, la table est publiée plusieurs fois avec les mêmes chiffres suivis d'une lettre. Sur la table et dans l'index (à côté de la description de la table) sont indiquées les têtes intéressées. Les modifications éventuelles sont indiquées dans un panneau sur la table même avec l'indication des têtes auxquelles elles se réfèrent.

- 1) toutes les pièces qui ne sont pas fournies séparément mais qui font partie d'un groupe, ne sont pas indiquées séparément.
- 2) Les symboles des pièces qui forment un groupe sont regroupés entre parenthèses. Cependant, lorsque ceci n'a pas été possible, les symboles, qui dans les tables d'illustration correspondent aux pièces, sont suivis du même signe particulier (ex. ★▲●■ etc.) qui indique le groupe tout entier.

Les pièces sur demande représentées dans les tables sont marquées avec la mention "SUR DEMANDE".

Pour faciliter la recherche, le catalogue renferme l'index numérique de toutes les pièces illustrées avec indication de la table dans laquelle elles son indiquées.

AIGUILLES

Les aiguilles se différencient par le système et la grosseur.

Le système de l'aiguille et sa grosseur, sont indiqués non seulement sur le sachet mais également sur l'aiguille. Dans l'ordre préciser, en plus du symbole, le système et la grosseur des aiguilles désirés. En cas de doute, joindre une aiguille comme modèle ou un sachet vide.

ATTENTION

En cas d'ordre de pièces détachées indiquer toujours le numéro de la machine, le symbole de la pièce et la dénomination officielle mentionnée sur le catalogue.

INDICE NUMERICO INDEX

Part. N.	Tav. N.	Part. N.	Tav. N.	Part. N.	Tav. N.	Part. N.	Tav. N.	Part. N.	Tav. N.	Part. N.	Tav. N.	Part. N.	Tav. N.
100891-0-10	11	300351-0-11	5	302347-0-10	9	302851-2-10	21	304437-0-10	11	308007-0-00	7	308080-0-00	9
200324-0-10	2	300352-0-10	5	302352-0-10	8	302857-0-10	12	304438-0-10	11	308009-0-10	4	308081-4-00	9
200413-2-10	11	300361-0-20	6	302353-0-10	3	302859-0-10	12	304441-0-10	11	308012-2-10	4	308082-2-00	9
200678-0-10	10	300362-0-11	6	302354-0-20	3	302864-0-10	12	304449-4-20	10	308013-4-02	4	308086-0-11	4
200710-0-10	1	300364-0-10	6	302355-0-10	3	302869-0-10	12	304453-2-10	11	308015-0-00	4	308098-0-00	7
200714-0-10	1	300371-0-11	6	302356-0-10	4	302870-0-10	22/A	304456-0-11	11	308029-2-00	6	308101-2-00	3
201128-0-10	8-9	300377-0-10	5	302708-0-01	12	302871-0-00	22/A	304457-0-10	11	308030-2-00	5	308102-0-00	3
201143-0-10	5-6	300391-0-10	2	302735-0-10	20	302872-0-10	22/A	304458-0-10	11	308031-0-01	8	308103-4-10	3
201358-0-10	11	300469-2-11	5	302738-0-00	20	302873-3-12	22/A	304459-0-10	11	308032-0-00	8	308104-0-00	14
202032-0-11	8-9	300482-0-10	5-9	302739-0-00	20	302876-0-10	22/A	304460-0-10	11	308036-2-00	8	308105-4-03	14
202229-0-10	1	300483-0-10	2-3	302753-0-10	20	302877-0-10	22/A	304462-0-20	10	308037-0-01	8	308107-0-01	1
202395-2-11	11	300710-0-10	18	302754-0-10	20	302882-3-02	22/A	304463-0-10	11	308038-0-10	8	308110-3-02	14
202397-0-10	5	301458-0-10	5-6	302762-0-10	21	302883-0-00	22/A	304467-4-20	11	308039-0-01	1-8	308111-0-00	14
202398-0-10	14	301459-4-10	5-6	302764-2-10	21	303045-0-10	1	304469-0-12	11	308040-2-00	14	308113-0-00	13
202473-0-11	6	301519-2-11	6	302765-4-10	21	303052-0-00	22/A-22/B	304472-0-10	11	308041-0-00	8	308114-2-02	14
202474-0-10	5	301579-0-10	5-6	302766-0-10	21	303458-0-12	6	304473-4-10	11	308042-0-00	8	308123-0-00	14
202486-0-10	6	301586-0-10	6	302767-0-10	21	303459-2-11	5	304474-0-10	11	308043-0-00	14	308125-0-01	13
202487-0-10	7	301596-0-11	22/A-22/B	302768-0-10	21	303494-0-10	6	304475-0-10	11	308044-0-00	5	308127-0-00	4
202556-0-01	1	301598-0-11	22/A-22/B	302769-0-10	21	303503-0-10	5	304476-0-11	10	308045-0-01	5	308128-0-01	3
202558-2-01	1	302028-2-20	6	302770-0-10	21	303538-0-00	5	304480-0-00	10	308046-2-01	5	308129-0-01	3
203658-0-10	22/A-22/B	302052-2-21	5	302773-0-11	22/A-22/B	303539-0-00	5	304481-4-00	10	308047-0-00	5	308137-0-00	1
203928-0-20	11	302057-0-13	5	302774-0-10	20	303899-0-11	8	304482-0-00	11	308050-2-00	5	308138-0-13	3
203949-0-10	11	302059-0-10	7	302795-0-10	21	304073-0-10	11	304485-3-11	22/B	308051-0-01	7	308140-0-00	5
206545-0-00	13	302060-0-11	7	302796-0-10	21	304084-0-20	11	304488-3-11	22/B	308052-4-00	7	308142-0-01	5
206555-0-00	14	302064-0-10	2	302797-0-10	21	304085-4-20	11	304568-2-00	11	308054-0-01	7	308148-0-00	7
206557-0-00	14	302136-0-12	1	302798-0-10	21	304086-0-10	11	304569-2-00	11	308055-2-00	7	308149-0-01	4
206559-0-01	13	302149-0-11	2	302801-3-11	12	304378-3-11	22/A	304589-0-00	11	308057-0-10	7	308159-2-01	4
206560-0-10	13	302152-0-10	6	302803-0-10	12	304406-0-13	10	304640-0-10	6	308058-0-00	7	308161-0-00	4
206564-0-00	13	302168-2-10	2	302804-2-11	12	304407-3-11	22/A	304662-0-10	3	308059-0-01	7	308162-0-00	4
206583-0-00	8	302172-0-10	2	302806-0-10	12	304408-3-11	22/B	304763-0-10	7	308060-4-10	7	308166-0-00	4
206669-2-02	14	302204-0-10	2	302807-0-10	12	304411-0-11	22/A-22/B	304767-2-11	7	308061-0-01	7	308174-3-01	4
207973-0-01	3	302232-0-10	7	302808-0-10	12	304412-0-10	10	305194-0-00	5	308062-2-01	7	308178-4-01	4
300006-0-12	3	302234-0-20	7	302810-0-10	20	304413-0-10	10	305666-0-00	14	308067-0-01	9	308179-0-00	13
300119-0-11	22/A-22/B	302238-0-11	7	302811-0-10	20	304422-2-21	11	305670-2-00	12	308071-3-02	9	308180-2-01	14
300120-0-10	22/A-22/B	302260-4-11	8	302812-0-10	12	304423-4-21	11	305671-2-00	12	308072-2-10	9	308184-0-00	14
300209-0-10	5-6	302261-2-11	8	302813-4-10	12	304424-0-10	11	307754-0-00	6	308074-0-00	9	308185-0-00	14
300218-0-10	1	302276-0-10	5	302821-0-10	22/A-22/B	304428-3-20	10	307990-0-00	14	308075-0-00	9	308190-0-00	6
300228-0-10	6	302289-0-10	5	302840-0-10	12	304430-0-10	11	307991-0-00	14	308076-2-01	7	308191-4-01	6
300231-0-30	6	302292-0-10	8	302842-0-10	6	304431-4-13	11	308002-0-00	13	308077-2-01	9	308192-4-03	6
300310-0-10	2	302338-0-10	8	302844-3-10	12	304432-4-20	11	308005-0-00	8	308078-0-00	9	308194-0-01	6
300348-0-10	8	302344-0-10	7	302846-0-10	12	304436-0-10	11	308006-4-00	8	308079-4-20	9	308196-0-10	6

INDICE NUMERICO INDEX

Part N	Tav N	Part N	Tav N	Part N	Tav N	Part N	Tav N	Part N	Tav N	Part N	Tav N	Part N	Tav N
308203-0-01	1	308318-0-00	8	308851-2-01	4	309373-2-00	12	314167-2-00	9	704302-4-00	2	721475-2-00	10-12
308206-0-00	13	308320-4-10	7	308852-0-00	4	309380-4-01	12	314168-0-00	4	704306-2-00	3	721484-2-00	13
308207-0-00	14	308325-3-00	5	308853-0-02	4	309562-0-00	6-9	314169-0-00	9	704309-4-00	5-9	721485-2-00	5
308208-0-00	13	308326-2-01	5	308855-0-00	4-8	309750-2-00	23	314182-0-00	9	704316-2-00	16	721494-2-00	7-9-21
308209-0-00	13	308327-0-00	5	308858-0-00	4	309751-2-01	23	314183-0-00	4	704345-2-00	16	721514-0-00	14
308210-0-00	13	308330-3-00	5	308859-2-00	4	309752-2-01	23	314186-4-00	9	704346-2-00	16	722063-2-00	13
308211-0-00	14	308331-4-00	13	308860-0-00	9	309754-2-00	23	314187-2-00	9	704347-2-00	6	722084-2-00	4
308213-0-00	13	308332-4-00	5	308861-0-00	9	309755-2-00	23	314189-2-00	9	704406-0-00	6	722164-2-00	10
308214-0-00	14	308333-0-01	5	308862-0-01	9	309756-2-01	23	314193-4-00	9	704409-2-00	10-16	722411-2-00	11-13
308215-0-00	14	308340-4-00	5	308863-0-00	9	309770-0-00	23	314194-4-00	9	704419-0-00	4-8	722422-2-00	8
308220-0-00	8	308362-4-01	6	308864-4-01	9	309771-0-00	23	314195-4-00	9	704805-0-00	6	722431-2-00	17/A-17/B
308226-0-02	13	308379-0-00	13	308865-0-00	9	309800-4-01	23	314248-0-00	9	704813-0-00	14	722433-2-00	11
308228-2-00	13	308385-2-10	4	308867-4-01	9	309801-4-01	23	314251-3-00	4	704814-0-00	6	722443-2-00	18
308232-0-01	8	308389-0-00	4	308868-2-00	9	309803-4-00	23	700205-0-00	7	704828-0-00	8	722453-2-00	13
308234-2-00	8	308412-2-02	7	308869-0-00	9	309804-4-00	23	700208-0-00	16	704835-0-00	9	722454-2-00	12
308235-0-00	8-9	308452-2-00	1	308874-0-00	9	309805-4-00	23	700210-0-00	12	704841-0-00	11	722472-2-00	4
308236-2-01	8	308496-2-01	1	308890-0-00	1	309806-4-01	23	700212-2-00	11	704846-0-00	5-6	722483-2-00	11
308238-4-00	8	308501-0-01	1	308934-4-00	2	309831-2-00	4	700596-0-00	4	704849-0-00	5	722905-2-00	16
308239-0-00	1	308502-0-00	1	308957-0-00	13	309838-2-01	6	701004-0-00	14	704852-0-00	9	724420-2-00	1
308244-4-00	8	308503-0-01	1	308967-2-01	2	309839-2-01	6	701009-0-00	5	704869-0-00	4	724441-0-00	6
308254-3-00	5	308504-0-00	1	308971-3-00	2	310040-4-00	21	701032-0-00	14	705201-0-00	2	724460-0-00	11
308261-4-01	5	308505-0-00	1	308996-0-03	7	310043-4-00	21	701051-0-00	13	705208-0-00	8-9	724908-2-00	10
308269-0-00	9	308506-0-00	1	309042-2-00	3	310353-4-00	5	701134-0-00	13	705734-0-00	5	727014-2-00	11
308272-0-00	5	308507-0-00	1	309059-4-00	3	310500-4-00	14	701405-0-00	1	705834-0-00	5	727056-0-00	12
308273-0-00	5	308513-0-00	1	309084-0-00	3	310561-2-00	14	702403-0-00	5	705970-0-00	3	727082-0-00	11
308275-2-00	6	308518-4-00	1	309086-0-01	3	310795-0-00	11	702415-0-00	18	705977-0-00	13	727215-0-00	2-5-6
308276-0-20	6	308521-4-00	1	309088-0-01	3	310796-0-00	11	703003-0-00	13	706434-0-00	6	727654-0-00	9
308278-0-01	6	308531-4-00	1	309126-3-00	3	311098-0-00	2	703005-0-00	8-9-17/A	706454-0-00	4	727834-2-00	1
308281-0-00	6	308532-4-00	1	309139-4-00	3	311343-2-00	6		17/B	707240-0-00	7	728232-0-00	6
308283-2-10	6	308551-0-00	2	309155-0-00	3	311395-0-00	13	703208-0-00	12	707241-0-00	7	729011-2-00	5-9
308285-2-02	6	308553-2-00	2	309205-3-00	3	312810-3-01	5	703810-0-00	5	707518-0-00	3	729012-2-00	1
308286-4-10	6	308556-0-00	2	309229-0-00	3	313375-0-01	1	703825-0-00	12	707536-0-00	3	729013-2-00	4-6-12
308287-0-00	6	308558-0-00	2	309249-0-00	3	313587-0-00	9	704010-2-00	18	707556-0-00	3	729022-2-00	9-11
308289-4-11	6	308577-2-20	13	309302-2-00	3	313588-0-00	9	704104-2-00	2	720411-2-00	3	729024-2-00	18
308292-4-00	5	308589-4-10	13	309323-0-00	3	313624-0-00	7	704206-2-00	18	721411-2-00	22/A-22/B	729032-2-00	14
308293-0-02	4	308751-0-00	9	309324-2-10	3	314160-2-01	9	704210-4-00	2-8	721412-2-00	11-12	729034-2-00	7-17/A
308294-0-10	6	308762-2-00	12	309332-0-00	3	314162-2-01	9	704216-2-00	11	721424-2-00	14		17/B
308296-0-00	6	308774-2-00	6	309351-0-00	3	314163-2-00	9	704218-2-00	2-5	721434-2-00	21	729043-2-00	11
308297-0-00	5	308780-2-00	6	309360-0-00	3	314164-2-00	9	704226-2-00	5	721443-2-00	5	729044-2-00	4
308301-0-10	4	308783-2-00	3	309371-0-00	3	314165-2-00	9	704236-2-00	7	721444-2-00	1-2-3-6	729051-2-00	9
308310-0-00	5	308802-2-00	5	309372-0-00	3	314166-2-00	4	704240-2-00	7	721474-2-00	3-21	729054-2-00	18

INDICE NUMERICO INDEX

Part N.	Tav N.	Part N.	Tav N.	Part N.	Tav N.	Part N.	Tav N.	Part N.	Tav N.	Part N.	Tav N.	Part N.	Tav N.
729434-2-00	5	741721-2-00	10-22/A	746204-2-00	7-12	990069 0-00	15	991194-4-00	17/A				
729904-2-00	7		22/B	716209-2-00	18	990175-0-10	15	991199-0-00	17/A-17/B				
730023-2-00	12	741724-0-00	9	746404-2-00	6	990176-0-10	15	991206-0-00	17/A-17/B				
730032-2-00	4	741925-2-00	3	746406-2-00	6	990179-4-11	16	991246-2-00	17/B				
730033-2-00	5-9	741928-0-00	6	746408-2-00	4-8	990188-0-10	15	991247-2-00	17/A				
730061-2-00	10	741936-2-00	3	746409-2-00	16	990193-0-00	15	991250-0-00	16				
731107-2-00	18	742222-2-00	4	746612-2-00	6	990213-0-10	18	991251-4-00	16				
731263-0-00	18	742282-2-00	3	766000-1-80	23	990214-4-11	18	991253-4-00	16				
731506-2-00	17/A-17/B	742311-2-00	1	766000-1-90	23	990317-0-10	16	991255-0-00	16				
733008-2-00	16	742423 0-00	5	770012-0-00	4	990474-0-11	15	991256-0-00	16				
733211-2-00	17/A-17/B	742811-0-00	6-11	778202-0-00	9	990578-0-13	15	991257-0-00	16				
733505-2-00	17/A-17/B	742813 0-00	6	778203-0-00	8	990587-0-11	15	991259-3-00	16				
733507 0-00	14	743134-2-00	22/A-22/B	778204-0-00	9	990593-0-11	18	991264-2-00	17/A-17/B				
733508-2-00	17/A-17/B	743243-2-00	12	778205-0-00	9	990594-2-00	18	991268-0-00	17/A-17/B				
733806-2-00	17/A-17/B	743482-2-00	10	778208-0-00	9	990596-0-10	18	991269-2-00	17/A-17/B				
733813-0-00	16	743541-2-00	16	778237-0-00	9	990612-2-10	18	991279-2-00	17/A-17/B				
740034 0-00	7	744040-2-00	5	778238 0-00	5-6	990675-0-10	16	991280-0-00	15				
740210-2-00	2	744553-0-00	11	778406-0-00	9	990694-0-11	16	991325-4-00	18				
740220-2-00	2-11	744587-2-00	1	778407-0-00	8-9	990703-0-11	18	991408-4-02	15				
740226 0-00	5-9	744636-2-00	3	778414-0-00	6	990704-0-11	18	991415-0-00	15				
740236 0-00	9	744676-2-00	3-5	778502-0-00	9	990705-4-11	18						
740240-0-00	13	744730-2-00	18-20	778512-0-00	11	990707-2-10	18						
740243-2-00	6	745001-2-00	8	778707 0-00	9	990708-0-10	18						
740257-2-00	6	745002-0-00	11	778827-0-00	5	990709-4-12	18						
740444-2-00	7	745114-0-00	12	788020-0-01	3	990723-0-00	15						
740475-2-00	6	745124 0-00	9	790242-0-00	14	990982-0-00	16						
740632-2-00	7	745126-2-00	1	790315 0-00	14	991108-2-01	17/A						
741082-2-00	14	745136-2-00	6	790325 0-00	14	991111-2-00	17/A-17/B						
741088-2-00	3-4	745317-0-00	10	790342-0-00	14	991112-0-00	17/A-17/B						
741092-0-00	14	745421-0-00	9	900201-0-10	16	991114-2-00	18						
741403 0-00	11	745800-2 00	8-9	900203-0-10	16	991120-5-01	17/A						
741413-2-00	2-9-22/A	745803-2-00	11	901101-0-00	16	991126-0-10	17/A						
	22/B	745810-2-00	23	901102-0-00	16	991134 0-00	17/A-17/B						
741414-2-00	22/A-22/B	745812-2-00	4-7-8	925433 0-00	17/A-17/B	991135-5-01	17/B						
741546-2-00	6		9-11	930072-2-10	18	991137-2-02	17/B						
741611-2-00	23	745815-2-00	5-6	930075 0-10	18	991143 0-10	17/B						
741612-2-00	2	745827-2-00	4-7	930096-0-10	18	991153-2-00	18						
741642-2-00	2-12	746002-2-00	11	930819-2-00	18	991172-0-00	17/A-17/B						
741658-2-00	3-9	746007-2-00	9	930820-4-00	18	991174-0-00	17/A-17/B						
741675-2-00	5	746008 0-00	8-9	930821-2-00	18	991179-0-01	17/A-17/B						
741682-0-00	2	746021-0-00	21	930824-0-00	18	991193-4-00	17/B						

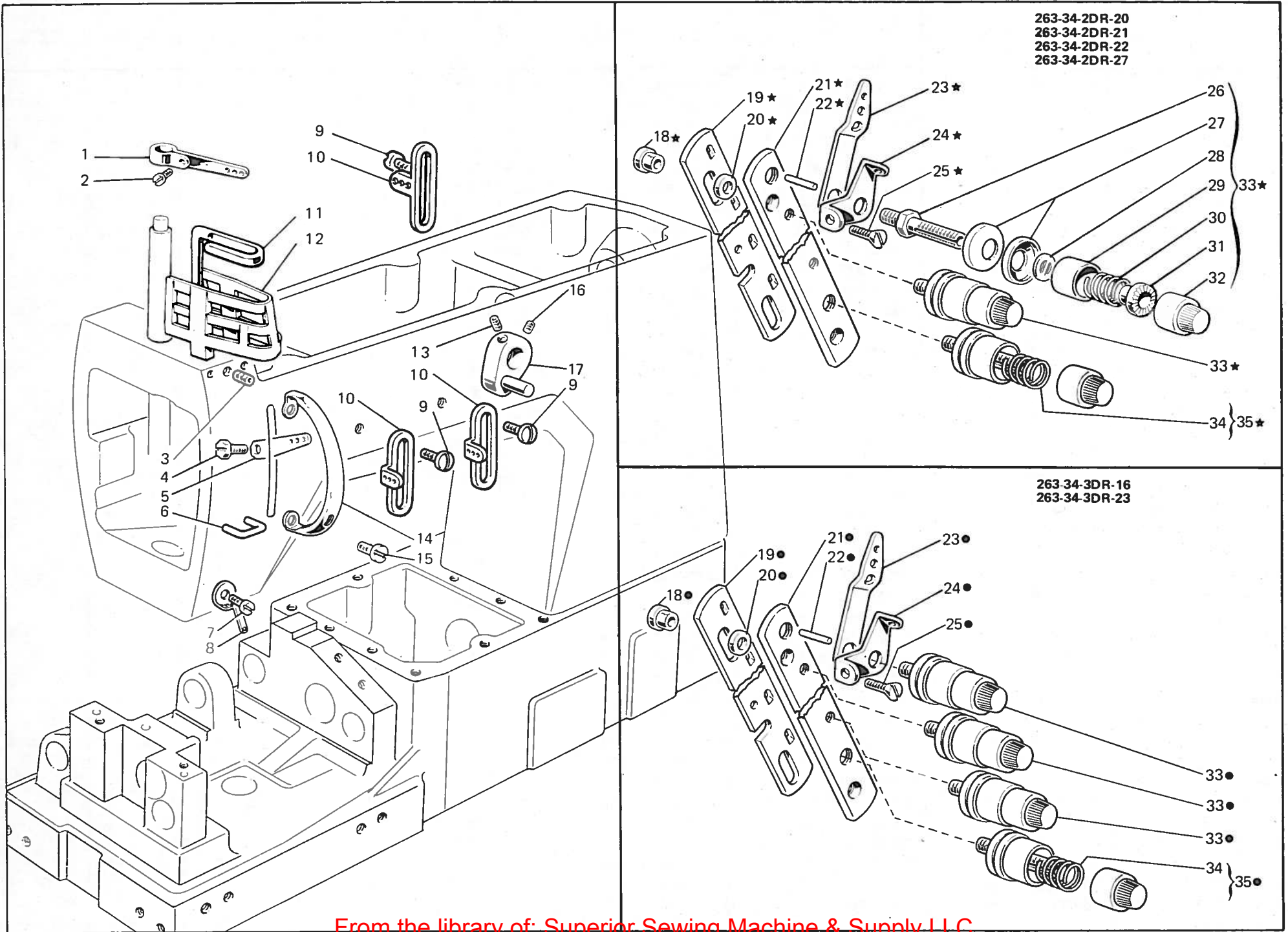


Fig. N. Abb. N.	Part. N. Bestell N. Pieze N. Pieza N.	Ct. Anzahl	DESCRIZIONE	DESCRIPTION	DESCRIPTION
★	308532-4-00	1	gruppo tensioni (2 aghi)	tension assembly (2 needles)	groupe tension (2 aiguilles)
●	308531 4 00	1	gruppo tensioni (3 aghi)	tension assembly (3 needles)	groupe tension (3 aiguilles)
1	308452-2-00	1	tendifilo superiore	upper thread take-up	tendeur du fil supérieur
2	742311-2-00	1	vite	screw	vis
3	729012-2-00	3	vite	screw	vis
4	308039 0-01	1	vite	screw	vis
5	308239 0-00	1	tendifilo inferiore	lower thread take-up	tendeur du fil inférieur
6	308137-0-00	1	cavallotto	coupling	cavalier
7	724420-2-00	1	vite	screw	vis
8	308890-0-00	1	passafilo	thread guide	passe fil
9	303045-0-10	3	vite	screw	vis
10	308203-0-01	3	guidafilo	thread guide	guide-fil
11	302136-0-12	1	passafilo	thread guide	passe-fil
12	313375-0-01	1	protezione tendifilo superiore	upper thread take-up protection	protection tendeur du fil sup.
13	745126-2-00	1	vite	screw	vis
14	308107-0-01	1	protezione tendifilo inferiore	lower thread take up protection	protection tendeur du fil inf.
15	721444-2-00	2	vite	screw	vis
16	727834-2-00	1	vite	screw	vis
17	308496-2-01	1	leva sblocca tensione	lever	levier
18	308513-0-00	2	distanziale	spacer	entretoise
19	308502-0-00	1	slitta per tensione	slide	glissière
20	701405-0-00	2	anello	ring	anneau
21	308504-0-00	1	supporto	support	support
22	308506-0-00	3/4	pernetto	pin	pivot
23	308501-0-01	3/4	passafilo	thread guide	passe-fil
24	308503 0-01	3/4	guidafilo	thread guide	guide-fil
25	744587-2-00	2	vite	screw	vis
26	308505 0-00	3/4	perno a vite	threaded pin	pivot à vis
27	300218 0-10	6/8	disco tensione	tension disc	disque tension
28	308507-0-00	3/4	rondella	washer	rondelle
29	202556-0-01	3/4	scodellino	cup	cuvette
30	200710-0-10	2/3	molla \varnothing 0,9 mm.	spring \varnothing 0,9 mm.	ressort \varnothing 0,9 mm
31	202229 0-10	3/4	bussola superiore	upper bush	bague supérieur
32	202558-2-01	3/4	pomolo	knob	pommeau
33	308518-4 00	2/3	tensione superiore completa	upper tension ass.	tension supérieur compl.
34	200714-0-10	1	molla \varnothing 0,5 mm.	spring \varnothing 0,5 mm.	ressort \varnothing 0,5 mm.
35	308521-4 00	1	tensione inferiore completa	lower tension assembly	tension inférieur complet

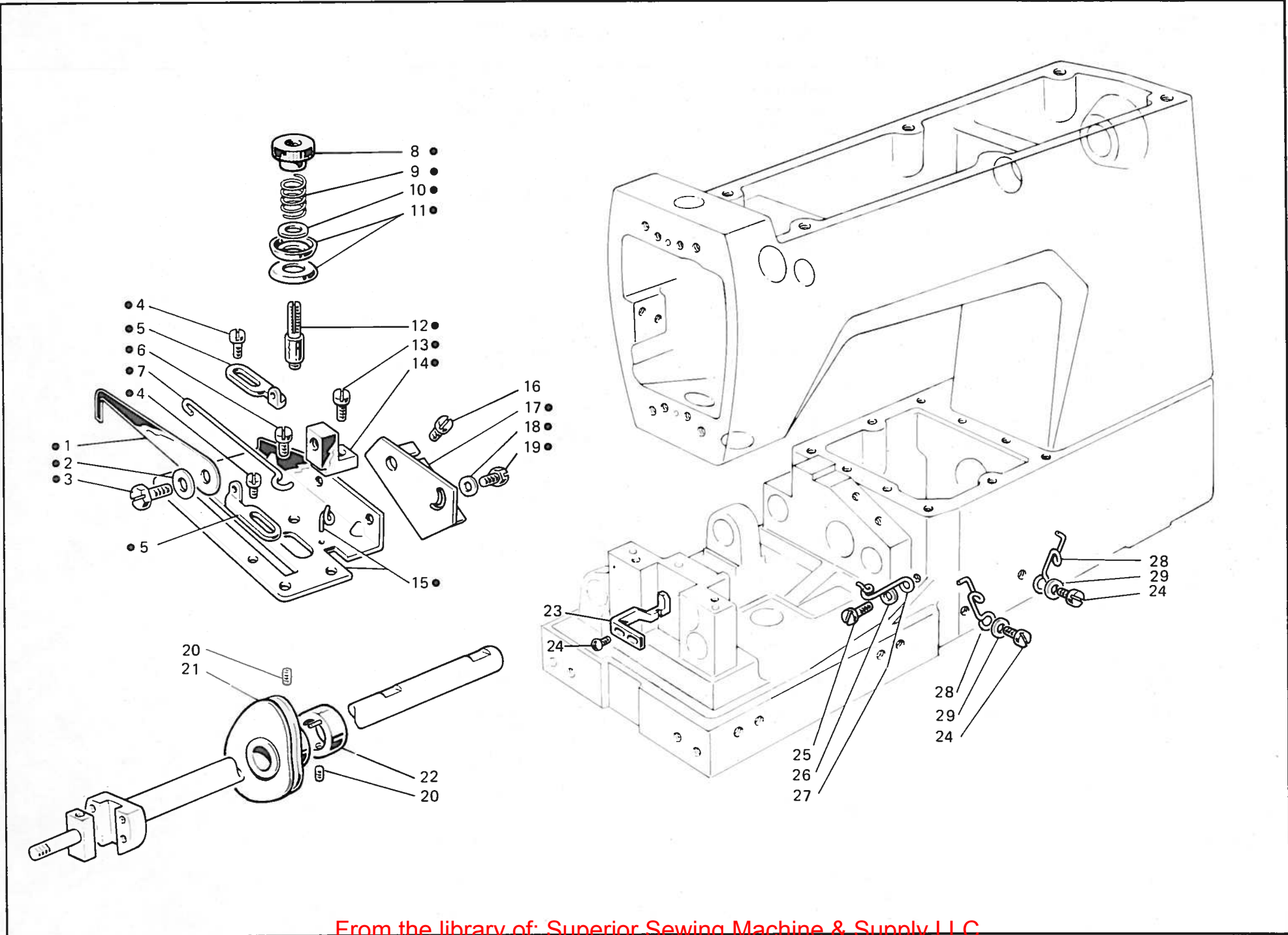


Fig. N. Abb. N.	Part. N. Piece N. Bestell N. Pieza N.	Qt. Anzahl	DESCRIZIONE	DESCRIPTION	DESCRIPTION
●	308934-4-00	1	gruppo tensione crochet inf.	lower looper tension assembly	groupe tension crochet inf.
1	308556-0-00	1	astina	rod	tige
2	705201-0-00	1	rosetta	washer	rondelle
3	740220-2-00	1	vite	screw	vis
4	741413-2-00	2	vite	screw	vis
5	302172-0-10	2	passafilo	thread guide	passe-fil
6	741612-2-00	1	vite	screw	vis
7	308558-0-00	1	traversino	tie	traverse
8	302204-0-10	1	pomolo	knob	pommeau
9	300310-0-10	1	molla	spring	ressort
10	704218-2-00	1	rosetta	washer	rondelle
11	200324-0-10	2	dischi tensione	tension disc	disque tension
12	300391-0-10	1	perno a vite	threaded pin	pivot à vis
13	741642-2-00	1	vite	screw	vis
14	302168-2-10	1	supporto	support	support
15	308553-2-00	1	piastra porta tensioni	plate	plaque
16	721444-2-00	2	vite	screw	vis
17	308551-0-00	1	squadretta	bracket	équerre
18	704104-2-00	2	rosetta	washer	rondelle
19	740210-2-00	2	vite	screw	vis
20	727215-0-00	2	vite	screw	vis
21	308971-3-00	1	tendifilo a camma con viti	cam thread take-up	tendeur du fil à came
22	308967-2-01	1	anello limitatore	limiter ring	anneau limiteur
23	302064-0-10	1	salva ago	rear needle guard	protège-aiguille
24	300483-0-10	4	vite	screw	vis
25	741682-0-00	1	vite	screw	vis
26	704302-4-00	1	rosetta	washer	rondelle
27	302149-0-11	1	passafilo	thread guide	passe-fil
28	311098-0-00	2	passafilo	thread guide	passe-fil
29	704210-4-00	2	rosetta	washer	rondelle

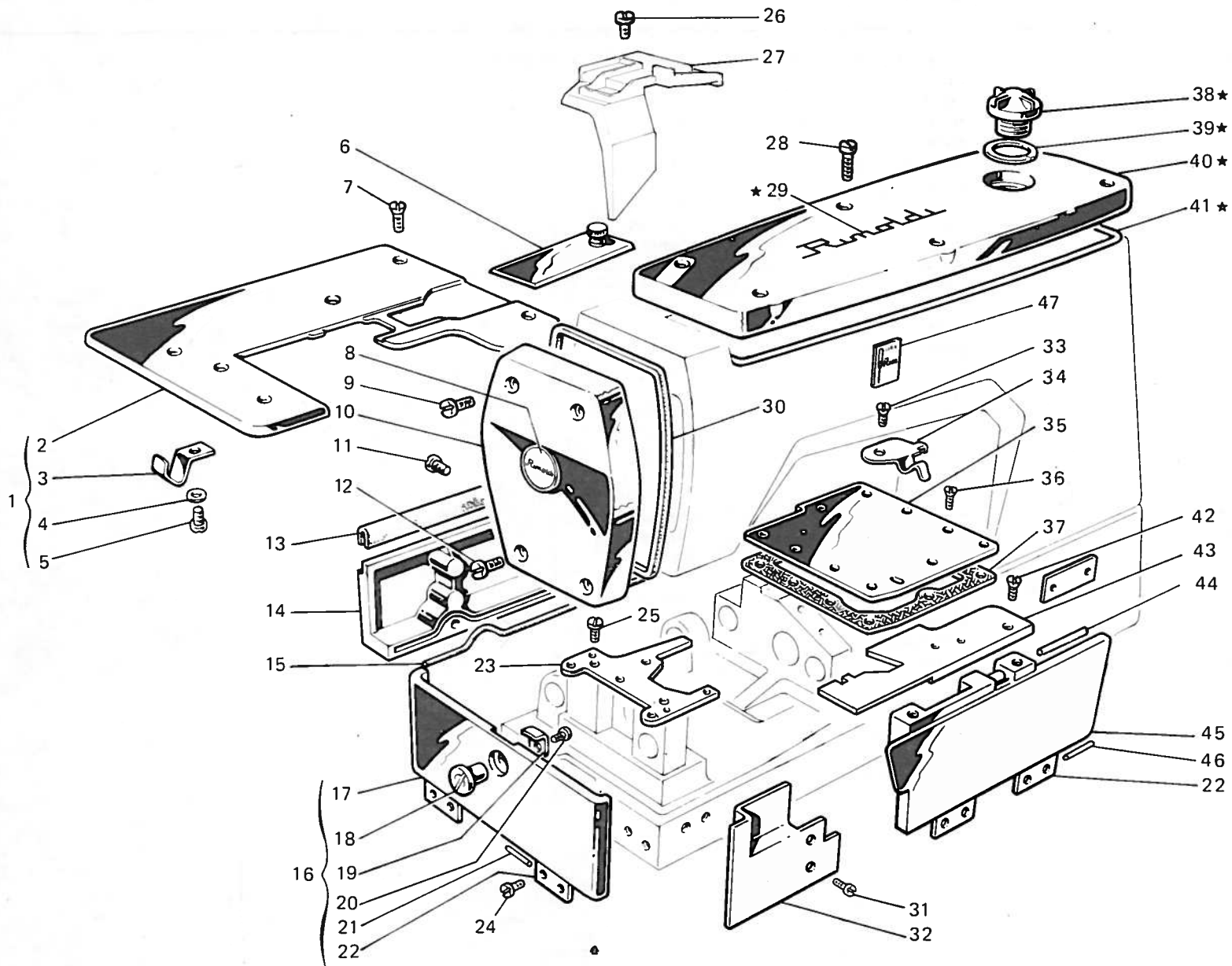


Fig. N. Abb. N.	Part. N. Piece N. Bestell N. Pieza N.	Qt. Anzahl	DESCRIZIONE	DESCRIPTION	DESCRIPTION
★	308103-4-10	1	coperchio superiore compl.	upper cover assembly	couvercle supérieur compl.
1	309059-4-00	1	piano di lavoro compl.	working plate assembly	plan de travail complet
2	309042-2-00	1	piano di lavoro	working plate	plan de travail
3	309351-0-00	1	molla	spring	ressort
4	704306-2-00	1	rondella	washer	rondelle
5	720411-2-00	1	vite	screw	vis
6	309302-2-00	1	coperchio scorrevole	sliding cover	couvercle coulissant
7	744636-2-00	5	vite	screw	vis
8	304662-0-10	1	targhetta	plate	plaque
9	302354-0-20	2	vite superiore	upper screw	vis supérieur
10	308101-2-00	1	coperchio laterale	side cover	couvercle latéral
11	741088-2-00	3	vite per carter posteriore	screw for rear cover	vis pour carter arrière
12	302353-0-10	2	vite inferiore	lower screw	vis inférieur
13	309088-0-01	1	guarnizione	gasket	garniture
14	309086-0-01	1	carter posteriore	rear cover	carter arrière
15	309084-0-00	1	guarnizione	gasket	garniture
16	309139-4-00	1	carter laterale completo	side cover assembly	carter latéral complet
17	309126-3-00	1	carter laterale	side cover	carter latéral
18	309372-0-00	1	perno	pin	pivot
19	309371-0-00	1	chiavistello	key	clé
20	741658-2-00	1	vite	screw	vis
21	707556-0-00	2	spina elastica	split pin	goupille réglable
22	309332-0-00	4	cerniera destra	right hinge	charnière droite
23	308783-2-00	1	piastra porta placca	plate	plaque
24	300483-0-10	8	vite per cerniera	screw for hinge	vis pour charnière
25	302355-0-10	2	vite per piastra	screw for plate	vis pour plaque
26	721444-2-00	1	vite	screw	vis
27	308138-0-13	1	carter paraolio	oil retainer cover	carter pare-huile
28	742282-2-00	6	vite per coperchio	screw for cover	vis pour couvercle
29	300006-0-12	2	decalcomania	decal	décalcomanie
30	308128-0-01	1	guarnizione coperchio	cover gasket	garniture couvercle
31	741925-2-00	2	vite	screw	vis
32	309155-0-00	1	semicarter anteriore sinistro	left front cover	carter avant gauche
33	721474-2-00	1	vite	screw	vis
34	309360-0-00	1	molla chiusura carter	spring	ressort
35	309324-2-10	1	piastra superiore	upper plate	plaque supérieur
36	741936-2-00	9	vite per piastra	screw for plate	vis pour plaque
37	309323-0-00	1	guarnizione	gasket	garniture
38	207973-0-01	1	cupolina	cup	coupille
39	705970-0-00	1	guarnizione per cupolina	gasket	garniture
40	308102-0-00	1	coperchio superiore	upper cover	couvercle supérieur
41	308129-0-01	1	guarnizione per coperchio	gasket for cover	garniture pour couvercle
42	744676-2-00	2	vite	screw	vis
43	309229-0-00	1	piastra piano di lavoro	working plate	plaque plan de travail
44	707518-0-00	1	spina elastica	split pin	goupille réglable
45	309205-3-00	1	carter anteriore	front cover	carter avant
46	707536-0-00	2	spina elastica	split pin	goupille réglable
47	788020-0-01	1	decalcomania	decal	décalcomanie
43	309249-0-00	1	SOLO A RICHIESTA piastra piano di lavoro	ONLY ON REQUEST plate	SEULEMENT SUR DEMANDE plaque plan de travail

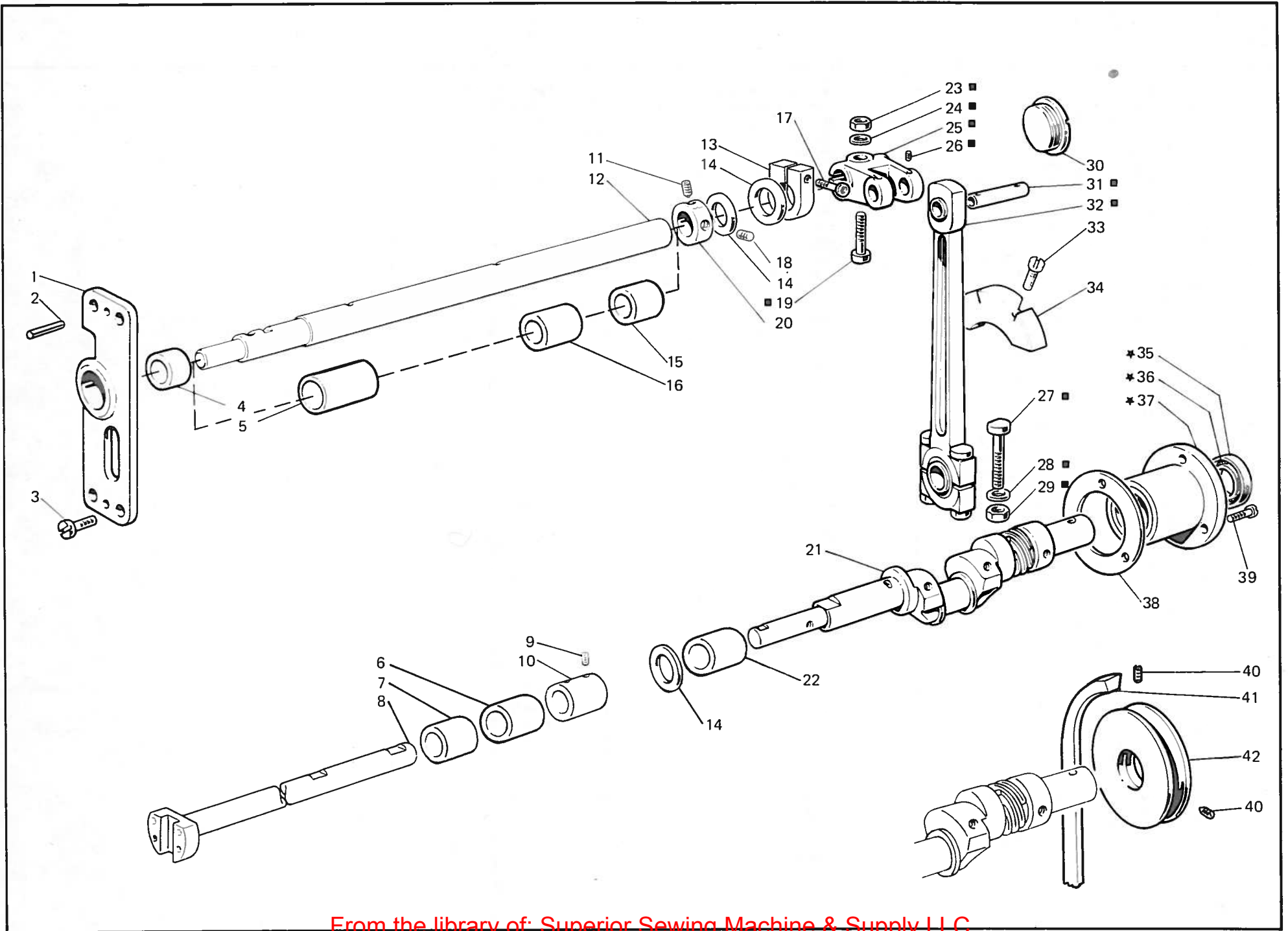
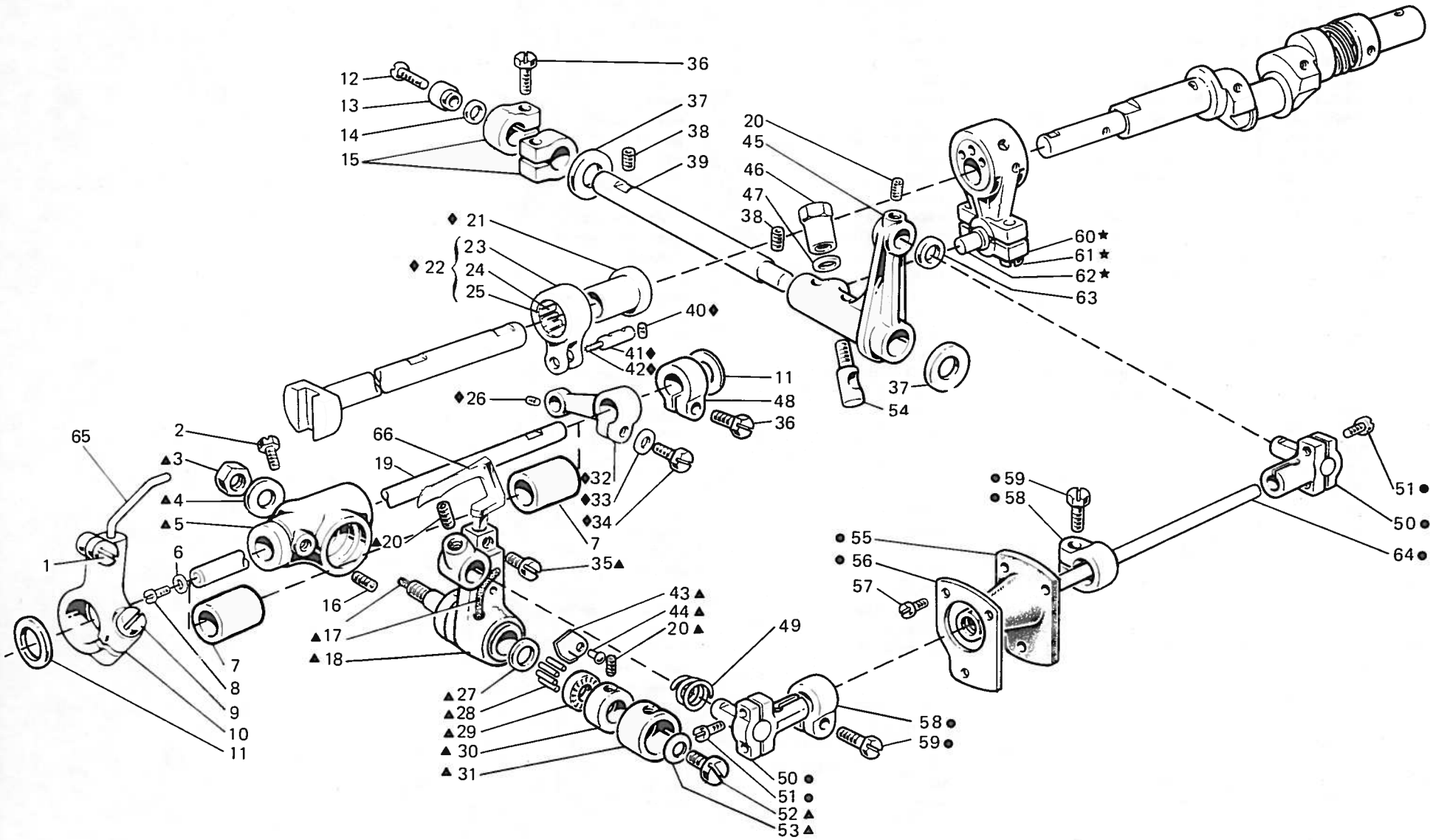


Fig. N. Abb. N.	Part. N. Bestell N. Piece N. Pieza N.	Qt. Anzahl	DESCRIZIONE	DESCRIPTION	DESCRIPTION
■	308178-4-01	1	gruppo biella principale	main con-rod assembly	groupe bielle principale
★	308013-4-02	1	bussola destra completa	right bush assembly	bague droite compl.
1	308859-2-00	1	supporto con bussola rif. 5	support with bush rif. 5	support avec bague rif. 5
2	706454-0-00	2	spina	pin	goupille
3	722084-2-00	4	vite	screw	vis
4	308858-0-00	1	bussola	bush	bague
5	308852-0-10	1	bussola	bush	bague
6	308009-0-10	1	bussola	bush	bague
7	308293-0-02	1	bussola	bush	bague
8	308385-2-10	1	semialbero inf. sinistro	left lower half-shaft	semi-arbre inf. gauche
9	745827-2-00	4	vite per manicotto	screw	vis
10	308015-0-00	1	manicotto	coupling	manchon
11	730032-2-00	1	vite	screw	vis
12	308851-2-01	1	albero superiore	upper shaft	arbre supérieur
13	314166-2-00	1	fascetta con vite	adjustment ring	bague de réglage
14	704869-0-00	3	rondella	washer	rondelle
15	314183-0-00	1	bussola	bush	bague
16	308853-0-02	1	bussola	bush	bague
17	722472-2-00	1	vite	screw	vis
18	729013-2-00	1	vite	screw	vis
19	308855-0-00	1	vite	screw	vis
20	309831-2-00	1	anello ri registro	adjustment ring	bague de réglage
21	314251-3-00	1	semialbero inf. destro	right lower half-shaft	semi-arbre inf. droite
22	308086-0-11	1	bussola	bush	bague
23	746408-2-00	1	dado	nut	écrou
24	704419-0-00	1	rondella	washer	rondelle
25	308159-2-01	1	manovella	crank	manivelle
26	745812-2-00	2	vite	screw	vis
27	308161-0-00	2	vite	screw	vis
28	308149-0-01	2	rondella	washer	rondelle
29	308162-0-00	2	dado	nut	écrou
30	302356-0-10	1	tappo	plug	bouchon
31	308166-0-00	1	perno	pin	pivot
32	308174-3-01	1	biella principale completa	main con-rod assembly	bielle principale complète
33	741088-2-00	4	vite	screw	vis
34	314168-0-00	2	contrappeso	counterweight	contrepoids
35	700596-0-00	1	anello di tenuta	retainer ring	bague d'étanchéité
36	308389-0-00	1	anello elastico	spring ring	anneau ressort
37	308012-2-10	1	bussola	bush	bague
38	308127-0-00	1	guarnizione	gasket	garniture
39	742222-2-00	3	vite	screw	vis
40	729044-2-00	2	vite	scrèw	vis
41	770012-0-00	1	cinghia	belt	courroie
42	308301-0-10	1	puleggia	pulley	poulie



N. N. Fig. Abb.	Part. N. Bestell N. Piece N. Pieza N.	Qt. Anzahl	DESCRIZIONE	DESCRIPTION	DESCRIPTION	N. N. Fig. Abb.	Part. N. Bestell N. Piece N. Pieza N.	Qt. Anzahl	DESCRIZIONE	DESCRIPTION	DESCRIPTION
★	310353-4-00	1	gruppo biella compl.	con-rod assembly	bielle complet	44	308273-0-00	1	rivetto	rivet	rivet
▲	308261-4-01	1	gruppo porta crochet	looper holder ass.	groupe porte-crochet	45	308045-0-01	1	supporto oscillante	support	support
◆	308340-4-00	1	gruppo com. crochet	looper control ass.	groupe comm. crochet	46	300351-0-11	1	dado	nut	écrou
●	308332-4-00	1	grup. com. crochet inf.	lower looper control ass.	groupe comm. crochet inf.	47	704309-4-00	1	rosetta	washer	rondelle
1	721443-2-00	1	vite	screw	vis	48	300469-2-11	1	fascetta	clamp	bride
2	740226-0-00	1	vite	screw	vis	49	302289-0-10	1	molla	spring	ressort
3	202474-0-10	1	dado	nut	écrou	50	308325-3-00	2	testa di biella	con-rod big end	tête de bielle
4	704226-2-00	1	rosetta	washer	rondelle	51	744040-2-00	4	vite	screw	vis
5	308140-0-00	1	supp. del porta crochet	support	support	52	742423-0-00	1	vite	screw	vis
6	705734-0-00	1	guarnizione	gasket	garniture	53	702403-0-00	1	molla a tazza	cup spring	ressort à tasse
7	308297-0-00	2	bussola	bush	bague	54	300352-0-10	1	spina filettata	pin	goupille
8	202397-0-10	1	vite	screw	vis	55	308330-3-00	1	manicotto paraolio	oil protection	manchon pare huile
9	721485-2-00	1	vite	screw	vis	56	308327-0-00	1	mascherina per manic.	flange	flasque
10	308050-2-00	1	porta spingi asola	front needle guard holder	porte pare-boucle	57	741675-2-00	2	vite	screw	vis
11	704846-0-00	2	rosetta	washer	rondelle	58	308326-2-01	1	fascetta	clamp	bride
12	744676-2-00	1	vite	screw	vis	59	305194-0-00	2	vite	screw	vis
13	308047-0-00	1	scodellino	cup	cuvette	60	308254-3-00	1	biella con ecc.	eccentric con-rod	bielle avec. excentr.
14	701009-0-00	1	anello di tenuta	retainer ring	bague d'étanchéité	61	308802-0-00	2	vite	screw	vis
15	308046-2-01	2	fascetta	clamp	bride	62	308310-0-00	1	perno a sfera	ball joint	pivot à sphère
16	730033-2-00	1	vite	screw	vis	63	705834-0-00	1	rosetta in fibra	washer	rondelle
17	778827-0-00	2	stoppino	wick	mèche	64	308333-0-01	1	tirante per biella	tie-rod	tirant pour bielle
18	312810-3-01	1	porta crochet compl.	looper holder ass.	porte crochet compl.	65	308142-0-01	1	spingi asola	front needle guard	pare-boucle
19	308292-4-00	1	contralbero compl.	coutershaft ass.	axe compl.	66	302057-0-13	1	crochet inf.	lower looper	crochet inférieur
20	745815-2-00	3	vite	screw	vis						
21	308030-2-00	1	eccentrico alza griffa	eccentric	excentrique						
22	301459-4-10	1	giunto completo	joint ass.	joint complet						
23	301458-0-10	1	giunto	joint	joint						
24	301579-0-10	1	gabbia a rullini	needles cage	cage à aiguilles						
25	201143-0-10	2	anello di tenuta	retainer ring	bague d'étanchéité						
26	729011-2-00	1	vite	screw	vis						
27	703810-0-00	1	distanziale	spacer	entretoise						
28	302276-0-10	40	rullini	roller	rouleau						
29	303539-0-00	2	reggispinta	thrust bearing	butée						
30	302052-2-21	1	ghiera	ring nut	collier						
31	303538-0-00	1	cappello di prot.	protection cap	capuchon de protection						
32	303459-2-11	1	braccio	arm	bras						
33	704218-2-00	1	rosetta	washer	rondelle						
34	300377-0-10	1	vite	screw	vis						
35	303503-0-10	1	vite	screw	vis						
36	300482-0-10	3	vite	screw	vis						
37	704849-0-00	2	rosetta	washer	rondelle						
38	729434-2-00	2	vite	screw	vis						
39	308044-0-00	1	perno per supporto	pin for support	pivot pour support						
40	727215-0-00	2	vite	screw	vis						
41	300209-0-10	1	perno	pin	pivot						
42	778238-0-00	1	stoppino	wick	mèche						
43	308272-0-00	1	piastrina	plate	plaque						

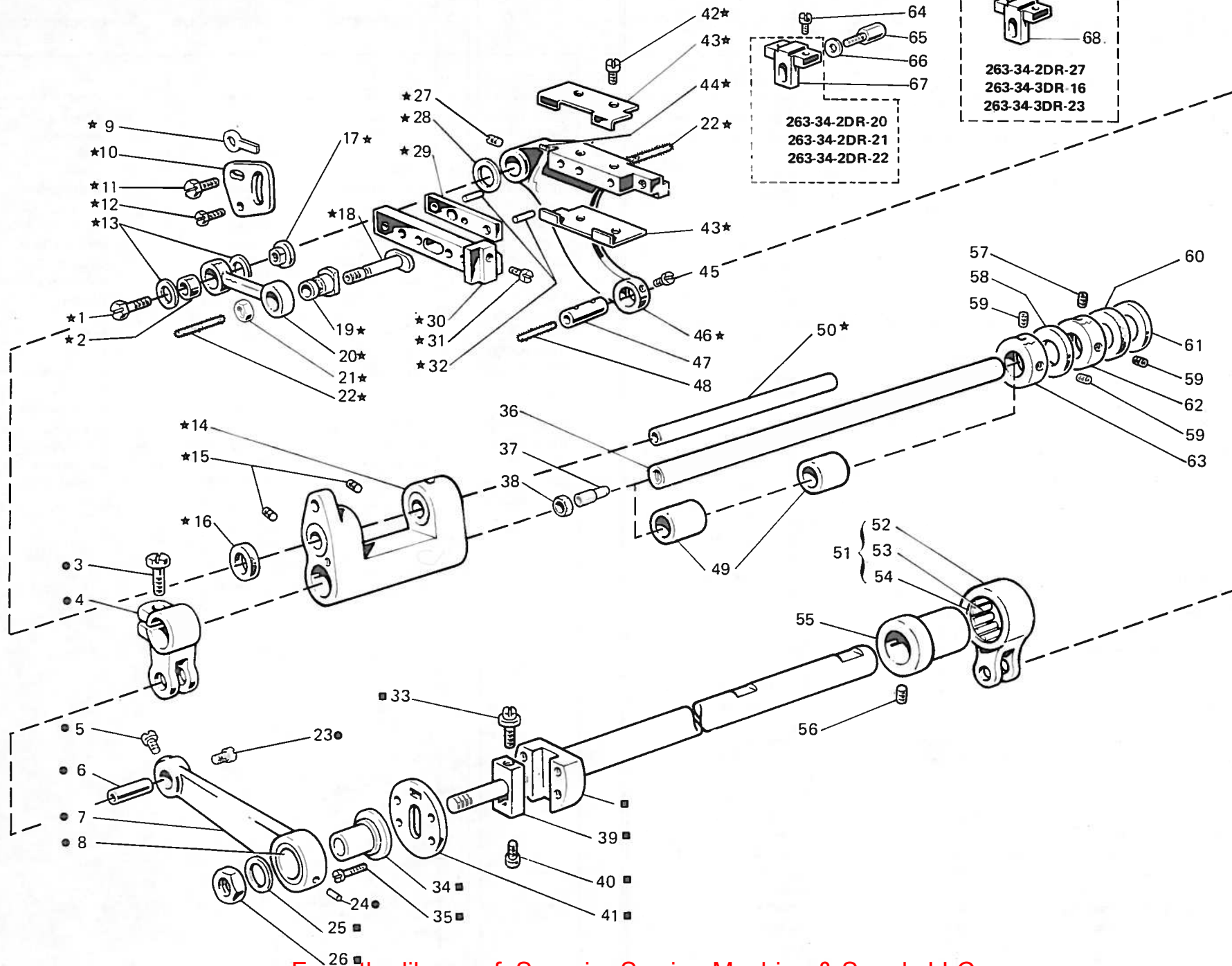


Fig. N. Abb. N.	Part. N. Bestell N. Piece N. Pieza N.	Qt. Anzahl	DESCRIZIONE	DESCRIPTION	DESCRIPTION	Fig. N. Abb. N.	Part. N. Bestell N. Piece N. Pieza N.	Qt. Anzahl	DESCRIZIONE	DESCRIPTION	DESCRIPTION
●	308286-4-10	1	gruppo leva	lever assembly	groupe levier	45	742811-0-00	1	vite	screw	vis
★	308192-4-03	1	gruppo porta griffa	feed dog holder ass.	groupe porte griffe	46	302028-2-20	1	braccio porta griffa	arm	bras
■	308362-4-01	1	semialbero inf.compl.	lower half-shaft ass.	semi-arbre inf. compl.	47	300209-0-10	1	perno	pin	pivot
1	740475-2-00	1	vite	screw	vis	48	778238-0-00	1	stoppino	wick	mèche
2	300228-0-10	1	bussola	bush	bague	49	308296-0-00	2	bussola	bush	bague
3	202486-0-10	1	vite	screw	vis	50	311343-2-00	1	perno	pin	pivot
4	301519-2-11	1	attacco	coupling	raccord	51	301459-4-10	1	giunto completo	joint assembly	joint complet
5	742813-0-00	1	vite	screw	vis	52	301458-0-10	1	giunto	joint	joint
6	308285-2-02	1	perno	pin	pivot	53	301579-0-10	1	gabbia a rullini	needles cage	cage à aiguille
7	308283-2-10	1	leva com. porta griffa	lever	levier	54	201143-0-10	2	anello di tenuta	retainer ring	bague d'étanchéité
8	303494-0-10	1	cuscinetto	bearing	coussinet	55	308029-2-00	1	eccentrico	eccentric	excentrique
9	307754-0-00	1	piastrina	plate	plaque	56	727215-0-00	2	vite	screw	vis
10	308194-0-01	1	settore	sector	secteur	57	728232-0-00	1	vite	screw	vis
11	740257-2-00	1	vite	screw	vis	58	704846-0-00	1	rosetta	washer	rondelle
12	740243-2-00	1	vite	screw	vis	59	745136-2-00	3	vite	screw	vis
13	704805-0-00	2	rosetta	washer	rondelle	60	308287-0-00	1	anello di tenuta	retainer ring	bague d'étanchéité
14	308191-4-01	1	supp. oscillante compl.	support assembly	support complet	61	704347-2-00	1	rosetta	washer	rondelle
15	729013-2-00	2	vite	screw	vis	62	309839-2-01	1	anello di registro	adjustment ring	bague de réglage
16	308190-0-00	2	anello di tenuta	retainer ring	bague d'étanchéité	63	309838-2-01	1	anello di registro	adjustment ring	bague de réglage
17	300362-0-11	1	cursore	slider	curseur	64	741546-2-00	2	vite fissa griffa princ.	screw	vis
18	308276-0-20	1	perno slitta porta griffa	pin	pivot	65	302152-0-10	1	vite	screw	vis
19	308196-0-10	1	bussola	bush	bague	66	704406-0-00	1	rondella	washer	rondelle
20	308275-2-00	1	biella	con-rod	bielle	67	300364-0-10	1	squadretta porta griffa	bracket	équerre
21	746404-2-00	1	dado	nut	écrou	68	302842-0-10	1	squadretta porta griffa	bracket	équerre
22	778414-0-00	2	stoppino	wick	mèche						
23	304640-0-10	1	vite	screw	vis						
24	301586-0-10	1	pastiglia	plug	bouchon						
25	704814-0-00	1	rosetta	washer	rondelle						
26	746612-2-00	1	dado	nut	écrou						
27	745815-2-00	1	vite	screw	vis						
28	309562-0-00	2	rosetta	washer	rondelle						
29	300361-0-20	1	piastrina	plate	plaque						
30	300231-0-30	1	slitta porta griffa	slide	glissière						
31	721444-2-00	1	vite fissa griffa diff.	screw	vis						
32	706434-0-00	2	spina	pin	goupille						
33	308281-0-00	1	vite di registro	adjustment screw	vis de réglage						
34	303458-0-12	1	bussola	bush	bague						
35	724441-0-00	4	vite	screw	vis						
36	308289-4-11	1	contralbero trasporto completo	transport countershaft assembly	axe transport complet						
37	308294-0-10	1	limitatore port.olio	oil limiter	limiteur huile						
38	746406-2-00	1	dado	nut	écrou						
39	308278-0-01	1	perno	pin	pivot						
40	308780-2-00	1	vite di registro	adjustment screw	vis de réglage						
41	308774-2-00	1	piastra disco	disc plate	plaque disque						
42	741928-0-00	4	vite	screw	vis						
43	300371-0-11	2	squadretta	bracket	équerre						
44	202473-0-11	1	vite	screw	vis						

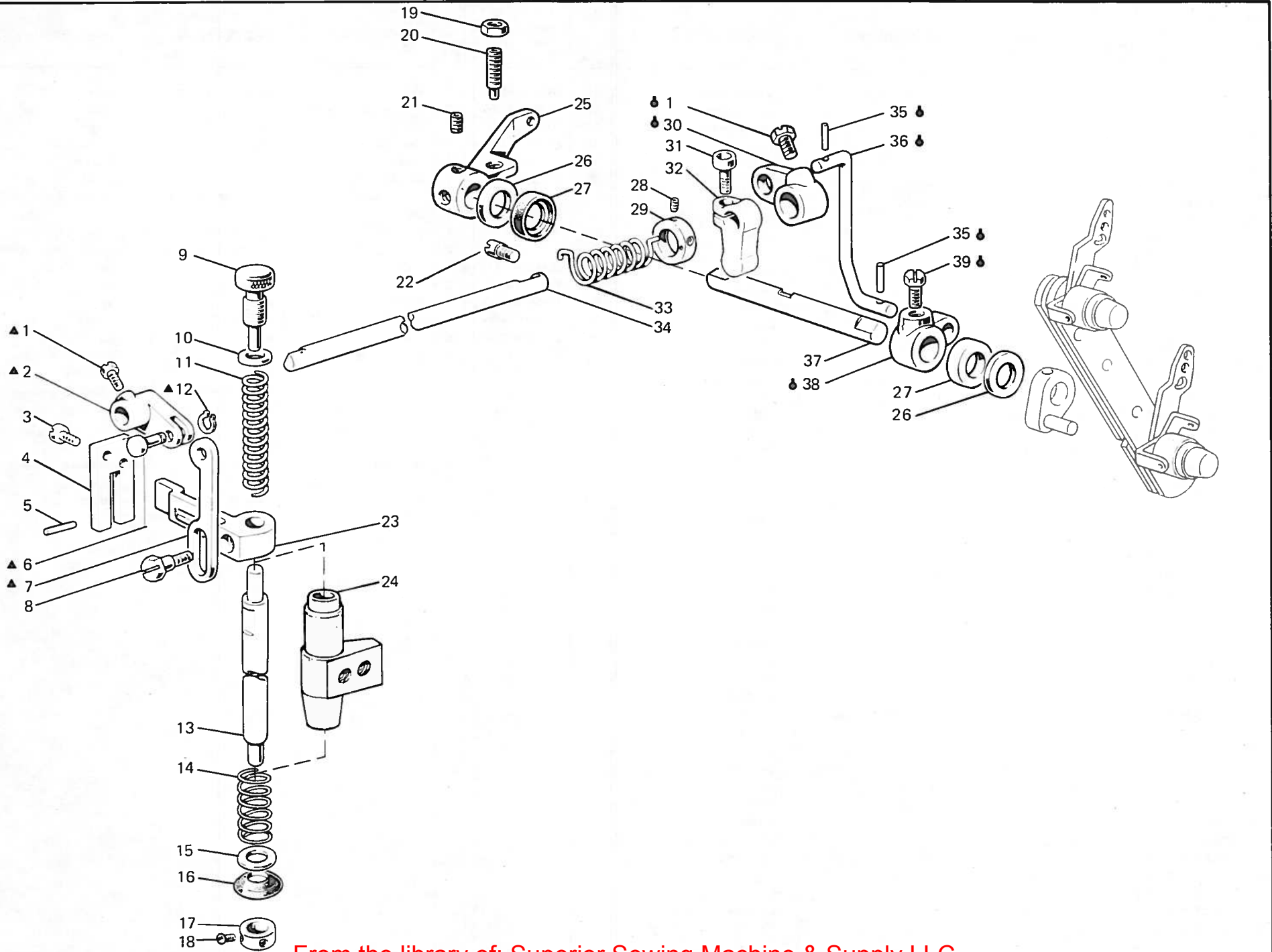


Fig. N. Abb. N.	Part. N. Piece N. Bestell N. Pieza N.	Qt. Anzahl	DESCRIZIONE	DESCRIPTION	DESCRIPTION
♣	308320-4-10	1	tirante con leva	tie-rod with lever	tirant avec levier
▲	308060-4-10	1	gruppo manovella tirante premist.	crank assembly	groupe manivelle
1	740632-2-00	2	vite	screw	vis
2	308059-0-01	1	manovella	crank	manivelle
3	721494-2-00	2	vite	screw	vis
4	308052-4-00	1	piastra con spina	plate	plaque
5	707240-0-00	1	spina elastica	split pin	goupille réglable
6	308058-0-00	1	spina	pin	goupille
7	308057-0-10	1	tirante per alzapiedino	tie-rod	tirant
8	740444-2-00	1	vite	screw	vis
9	302060-0-11	1	pomolo di regolazione	adjustment knob	pommeau de réglage
10	302344-0-10	1	rosetta	washer	rondelle
11	302059-0-10	1	molla premi piedino	spring	ressort
12	700205-0-00	1	anello elastico	spring ring	anneau ressort
13	308061-0-01	1	barra porta piedino	presserfoot bar	barre porte pied de biche
14	308148-0-00	1	molla	spring	ressort
15	704236-2-00	1	rosetta	washer	rondelle
16	308054-0-01	1	paraolio	oil retainer	pare-huile
17	308076-2-01	1	anello con viti	ring with screw	anneau avec vis
18	745812-2-00	2	vite	screw	vis
19	746204-2-00	1	dado	nut	écrou
20	729904-2-00	1	vite	screw	vis
21	729034-2-00	2	vite	screw	vis
22	308007-0-00	1	perno filettato	threaded pin	pivot fileté
23	308055-2-00	1	guida a forcella	fork guide	guide à fourchette
24	308051-0-01	1	bussola	bush	bague
25	308062-2-01	1	leva comando alza piedino	lever	levier
26	704240-2-00	2	rosetta	washer	rondelle
27	304763-0-10	2	anello di tenuta	retainer ring	bague d'étanchéité
28	745827-2-00	2	vite	screw	vis
29	304767-2-11	1	anello	ring	anneau
30	302232-0-10	1	leva superiore	upper lever	levier supérieur
31	202487-0-10	1	vite	screw	vis
32	308412-2-02	1	fascetta	clamp	bride
33	308098-0-00	1	molla di torsione	spring	ressort
34	302234-0-20	1	albero	shaft	arbre
35	707241-0-00	2	spina elastica	split pin	goupille réglable
36	313624-0-00	1	tirante	tie-rod	tirant
37	308996-0-03	1	albero comando alza piedino	shaft	arbre
38	302238-0-11	1	leva per tirante	lever	levier
39	740034-0-00	1	vite	screw	vis

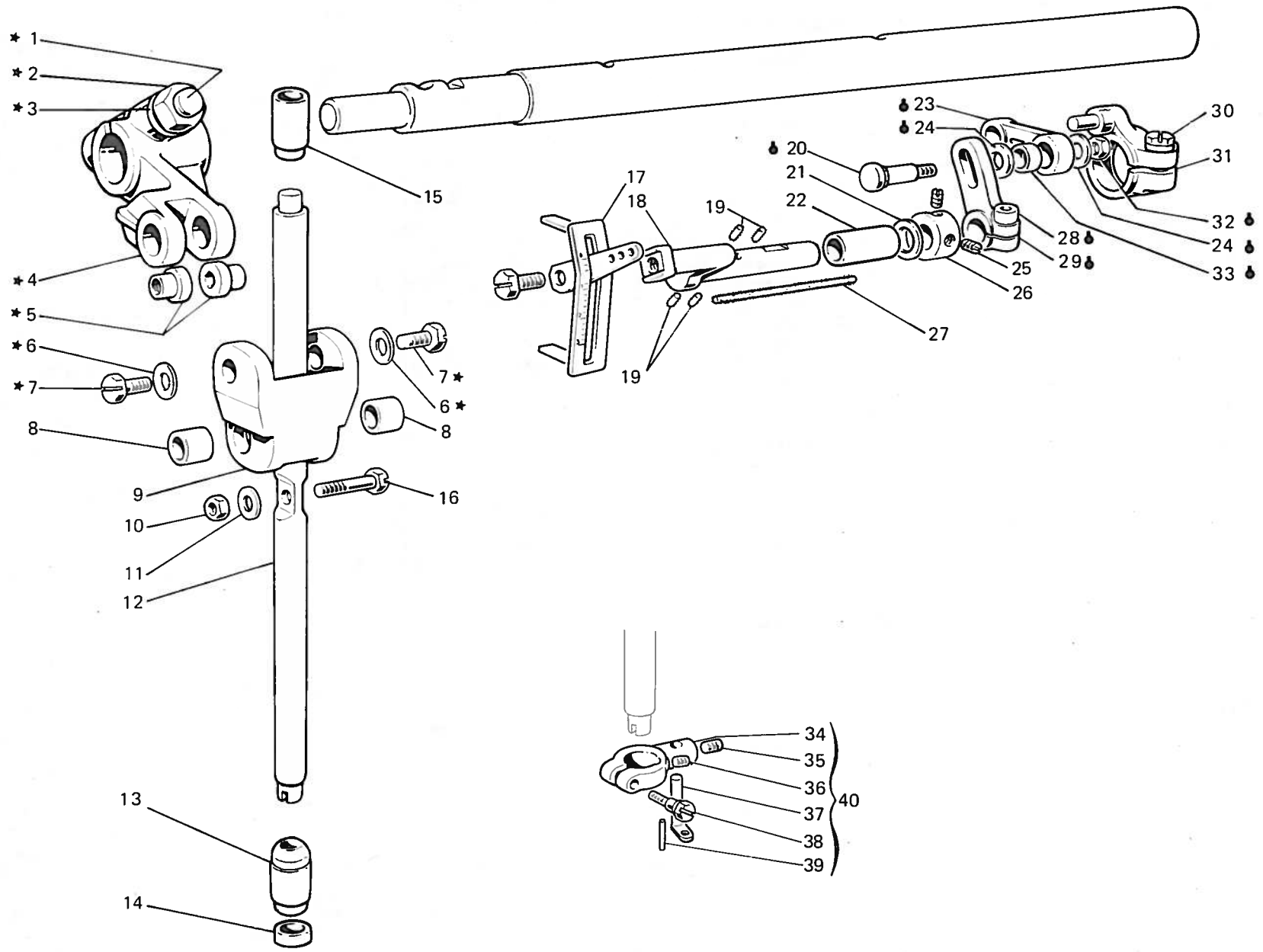
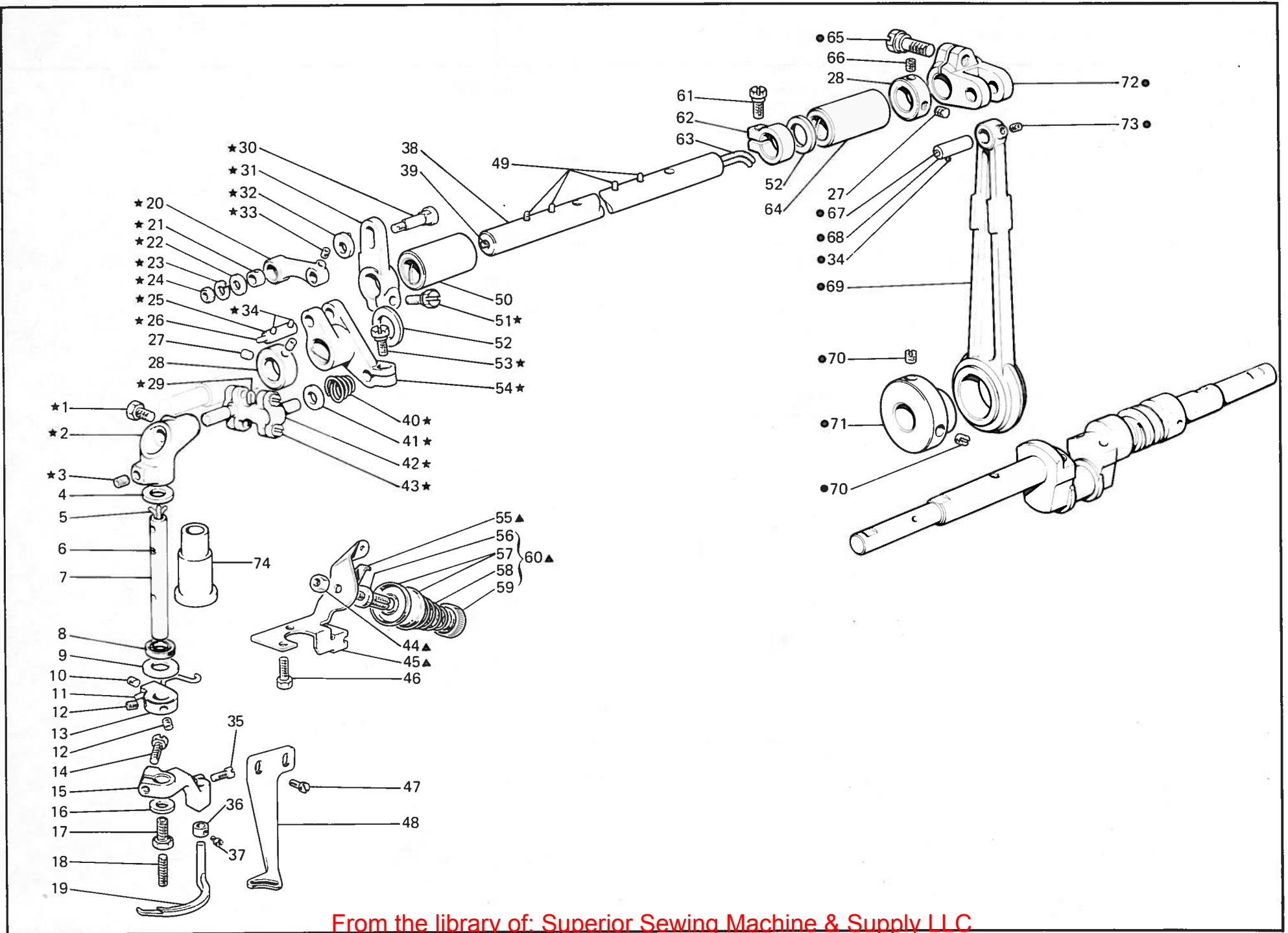


Fig. N. Abb. N.	Part. N. Piece N. Bestell N. Pieza N.	Qt. Anzahl	DESCRIZIONE	DESCRIPTION	DESCRIPTION
★	308006-4-00	1	gr. manovella giunto barra d'ago	crank assembly	groupe manivelle
⚙	308244-4-00	1	gruppo settore tenditore articol.	sector assembly	groupe secteur
1	308855-0-00	1	perno a vite	threaded pin	pivot à vis
2	746408-2-00	1	dado	nut	écrou
3	704419-0-00	1	rondella	washer	rondelle
4	308036-2-00	1	manovella completa	crank assembly	manivelle compl.
5	308037-0-01	2	perno superiore	upper pin	pivot supérieur
6	704210-4-00	2	rosetta	washer	rondelle
7	308039-0-01	2	vite	screw	vis
8	308041-0-00	2	bussola inferiore	lower bush	bague inférieur
9	308038-0-10	1	giunto barra d'ago	joint	joint
10	302338-0-10	1	dado	nut	écrou
11	703005-0-00	1	rosetta	washer	rondelle
12	308220-0-00	1	barra d'ago	needle bar	barre aiguille
13	308031-0-01	1	bussola	bush	bague
14	308318-0-00	1	scodellino inferiore	lower cup	cuvette inférieur
15	308032-0-00	1	bussola	bush	bague
16	308042-0-00	1	perno per barra ago	pin	pivot
17	308005-0-00	1	targhetta	plate	plaque
18	308238-4-00	1	braccio con stoppini	arm with wicks	bras avec mèches
19	778203-0-00	4	stoppino	wick	mèche
20	308235-0-00	1	perno	pin	pivot
21	704828-0-00	1	rosetta	washer	rondelle
22	308232-0-01	1	bussola	bush	bague
23	206583-0-00	1	biellino	con-rod	petite bielle
24	705208-0-00	2	rosetta	washer	rondelle
25	745812-2-00	2	vite	screw	vis
26	303899-0-11	1	anello	ring	anneau
27	778407-0-00	1	stoppino	wick	mèche
28	722422-2-00	1	vite	screw	vis
29	308234-2-00	1	settore	sector	secteur
30	201128-0-10	1	vite	screw	vis
31	308236-2-01	1	braccio con vite	arm with screw	bras avec vis
32	746008-0-00	1	dado	nut	écrou
33	202032-0-11	1	bussolina	bush	bague
34	302261-2-11	1	fascetta	clamp	bride
35	745800-2-00	1	vite	screw	vis
36	745001-2-00	1	vite	screw	vis
37	300348-0-10	1	passafilo	thread guide	passé-fil
38	302352-0-10	1	vite	screw	vis
39	302292-0-10	1	spina	pin	goupille
40	302260-4-11	1	fascetta completa	clamp assembly	bride complet



N. N. Fig. Abb.	Part. N. Bestell N. Piece N. Pieza N.	N. Anzahl	DESCRIZIONE	DESCRIPTION	DESCRIPTION	N. N. Fig. Abb.	Part. N. Bestell N. Piece N. Pieza N.	N. Anzahl	DESCRIZIONE	DESCRIPTION	DESCRIPTION
★	308079-4-20	1	gruppo crochet cop.	looper assembly	groupe crochet	46	740236-0-00	2	vite	screw	vis
▲	308867-4-01	1	gruppo tensione cop.	tension assembly	groupe tension	47	741658-2-00	2	vite	screw	vis
●	314195-4-00	1	gruppo biella	con-rod assembly	groupe bielle	48	308751-0-00	1	passafilo a camma	thread guide	passe-fil
1	740226-0-00	1	vite	screw	vis	49	778205-0-00	8	stoppino	wick	mèche
2	308072-2-10	1	raccordo con vite	connection with screw	raccord avec vis	50	313587-0-00	1	bussola	bush	bague
3	730033-2-00	1	vite	screw	vis	51	314248-0-00	1	vite	screw	vis
4	309562-0-00	1	rondella	washer	rondelle	52	704852-0-00	2	rondella	washer	rondelle
5	778502-0-00	1	stoppino	wick	mèche	53	302347-0-10	1	vite	screw	vis
6	778204-0-00	4	stoppino	wick	mèche	54	314164-2-00	1	attacco con viti	coupling with screw	raccord avec vis
7	308081-4-00	1	perno con stoppini	pin with wicks	pivot avec mèches	55	308874-0-00	1	passafilo	thread guide	passe fil
8	308075-0-00	1	anello di tenuta	retainer ring	bague d'étanchéité	56	308862-0-01	1	perno a vite	threaded pin	pivot à vis
9	704835-0-00	1	rondella	washer	rondelle	57	308863-0-00	2	disco tensione	tension disc	disque tension
10	745800-2-00	1	vite	screw	vis	58	308860-0-00	1	molla	spring	ressort
11	308869-0-00	1	astina tendifilo	thread take-up rod	tige tension fil	59	308861-0-00	1	pomolo	knob	pommeau
12	745812-2-00	2	vite	screw	vis	60	308864-4-01	1	gruppo tensione	tension assembly	groupe tension
13	308868-2-00	1	anello porta astina	rod holder ring	bague porte tige	61	300482-0-10	1	vite	screw	vis
14	721494-2-00	1	vite	screw	vis	62	314189-2-00	1	fascetta con vite	clamp with screw	bride avec vis
15	308077-2-01	1	porta crochet con viti	looper holder with screw	porte crochet avec vis	63	778407-0-00	1	stoppino	wick	mèche
16	704309-4-00	1	rondella	washer	rondelle	64	313588-0-00	1	bussola	bush	bague
17	308078-0-00	1	vite di registro	adjustment screw	vis de réglage	65	201128-0-10	1	vite	screw	vis
18	729051-2-00	1	vite	screw	vis	66	745421-0-00	1	vite	screw	vis
19	308080-0-00	1	crochet di copertura	looper	crochet	67	778237-0-00	1	stoppino	wick	mèche
20	314165-2-00	1	biellino con vite	con-rod with screw	bielle avec vis	68	314194-4-00	1	spina completa	pin group	groupe pivot
21	202032-0-11	1	bussolina	bush	bague	69	314160-2-00	1	biella con vite	con-rod with screw	bielle avec vis
22	705208-0-00	1	rondella	washer	rondelle	70	727654-0-00	2	vite	screw	vis
23	703005-0-00	1	rondella elastica	spring washer	rondelle élastique	71	314167-2-00	1	eccentrico con viti	eccentric with screws	excentrique avec vis
24	746008-0-00	1	dado	nut	écrou	72	314162-2-01	1	attacco con vite	coupling with screw	raccord avec vis
25	314193-4-00	1	spina completa	pin group	groupe pivot	73	729022-2-00	1	vite	screw	vis
26	778208-0-00	1	stoppino	wick	mèche	74	308074-0-00	1	bussola	bush	bague
27	745124-0-00	3	vite	screw	vis						
28	314169-0-00	2	anello di rasamento	shim	bague						
29	778707-0-00	1	stoppino	wick	mèche						
30	308235-0-00	1	perno	pin	pivot						
31	314163-2-00	1	settore con vite	sector with screw	secteur avec vis						
32	314187-2-00	1	rondella con spina	washer with pin	rondelle avec goupille						
33	729011-2-00	1	vite	screw	vis						
34	778202-0-00	8	stoppino	wick	mèche						
35	741724-0-00	1	vite	screw	vis						
36	308082-2-00	1	anello con vite	ring with screw	bague avec vis						
37	741413-2-00	1	vite	screw	vis						
38	314186-4-00	1	contralbero con stop.	countershaft with wicks	contre-arbre avec mèche						
39	778406-0-00	1	stoppino	wick	mèche						
40	308269-0-00	1	molla	spring	ressort						
41	314182-0-00	1	distanziale	spacer	entretoise						
42	308071-3-02	1	gruppo biella	con-rod assembly	groupe bielle						
43	308067-0-01	4	vite	screw	vis						
44	746007-2-00	1	dado	nut	écrou						
45	308865-0-00	1	piastra con passafilo	plate with thread guide	plaque avec passe-fil						

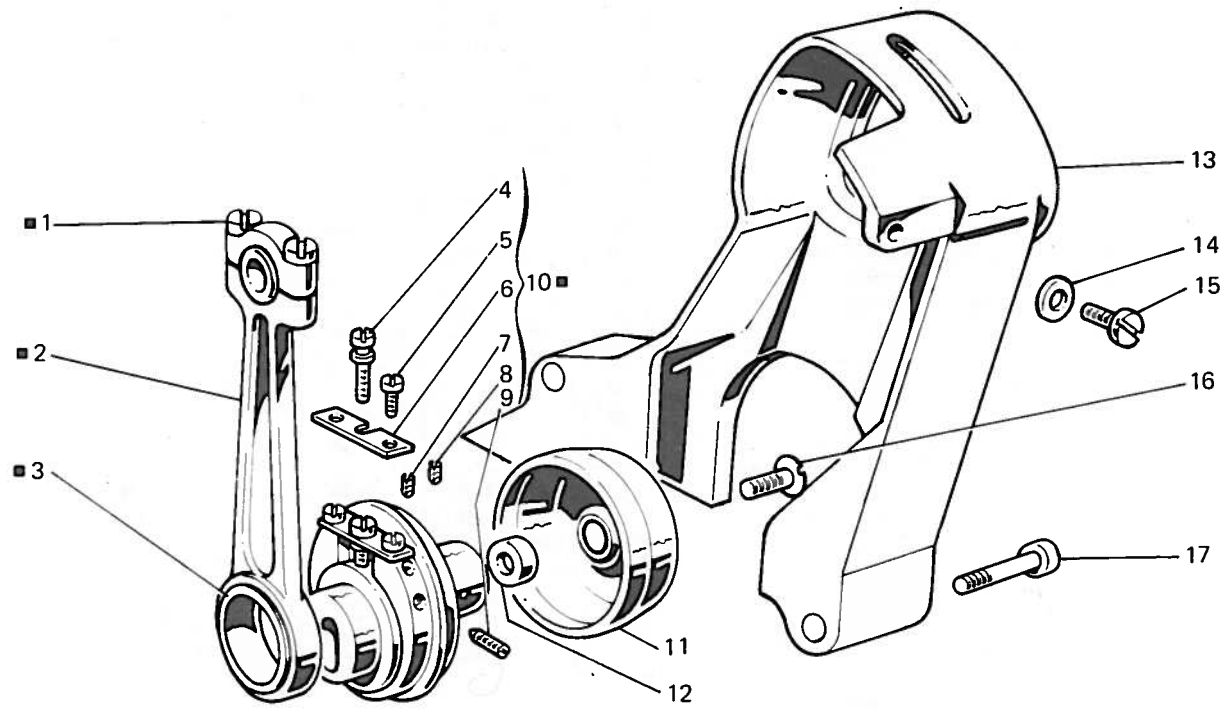


Fig. N. Abb. N.	Part. N. Piece N. Bestell N. Pieza N.	Qt. Anzahl	DESCRIZIONE	DESCRIPTION	DESCRIPTION	BENENNUNG	DESCRIPTION
■	304481-4-00	1	biella con eccentrico	con-rod with eccentric	bielle avec excentrique		
1	743482-2-00	2	vite	screw	vis		
2	304428-3-20	1	biella completa	con-rod assembly	bielle complète		
3	304480-0-00	1	cuscinetto	bearing	coussinet		
4	304412-0-10	1	vite di registro	adjustment screw	vis de réglage		
5	741721-2-00	2	vite	screw	vis		
6	304413-0-10	1	piastrina	plate	plaque		
7	304462-0-20	2	vite	screw	vis		
8	745317-0-00	2	vite	screw	vis		
9	730061-2'00	2	vite	screw	vis		
10	304449-4-20	1	eccentrico regol. completo	eccentric assembly	excentrique compl.		
11	200678-0-10	1	coperchio	cover	couvercle		
12	304476-0-11	1	distanziale	spacer	entretoise		
13	304406-0-13	1	carter di protezione	protection cover	carter de protection		
14	704409-2-00	1	rondella	washer	rondelle		
15	721475-2-00	1	vite	screw	vis		
16	724908-2-00	1	vite	screw	vis		
17	722164-2-00	2	vite	screw	vis		

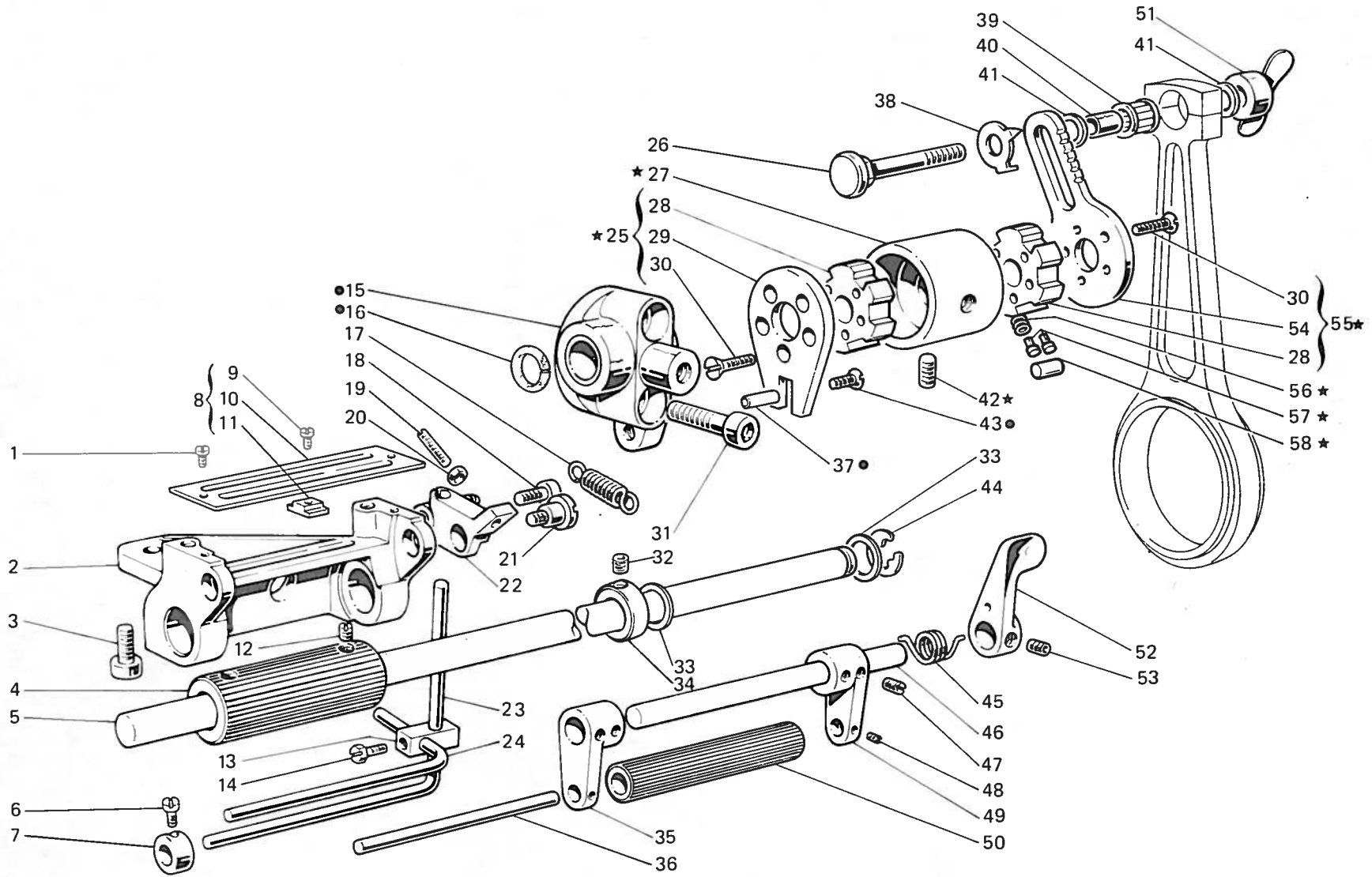


Fig. N. Abb. N.	Part. N. Bestell N. Piece N. Pieza N.	Qt. Anzahl	DESCRIZIONE	DESCRIPTION	DESCRIPTION	Fig. N. Abb. N.	Part. N. Bestell N. Piece N. Pieza N.	Qt. Anzahl	DESCRIZIONE	DESCRIPTION	DESCRIPTION
●	304423-4-21	1	supporto albero	shaft support	support arbre	48	745002-0-00	2	vite	screw	vis
★	304431-4-13	1	frizione completa	clutch assembly	friction complète	49	304437-0-10	1	spalla destra	right support	support droit
1	721412-2-00	2	vite	screw	vis	50	304568-2-00	1	rullo	roller	rouleau
2	304467-4-20	1	sup. frizione compl.	cluth supp.with bushes	sup.friction avec bagues	51	200413-2-10	1	pomolo con alette	knob with flyer	pommeau avec ailette
3	722433-2-00	2	vite	screw	vis	52	304424-0-10	1	leva	lever	levier
4	304569-2-00	1	rullo con viti	roller	rouleau	53	745812-2-00	2	vite	screw	vis
5	304469-0-12	1	albero	shaft	arbre	54	304084-0-20	1	flangia	flange	flasque
6	742811-0-00	4	vite	screw	vis	55	304085-4-20	1	settore flangia sinistra	sector left flange	secteur flasque gauche
7	304458-0-10	4	anello	ring	anneau	56	310795-0-00	20	molletta	spring	ressort
8	304473-4-10	1	piastrina completa	plate assembly	plaque complète	57	310796-0-00	20	pernetto	pin	pivot
9	741403-0-00	4	vite	screw	vis	58	100891-0-10	20	rullino	roller	rouleau
10	304472-0-10	1	piastrina	plate	plaque						
11	203949-0-10	4	cursore	slider	curseur						
12	729022-2-00	2	vite	screw	vis						
13	304460-0-10	1	blocchetto	block	bloc						
14	740220-2-00	2	vite	screw	vis						
15	304422-2-21	1	supporto con spina	supporto with pin	supporto avec goupille						
16	778512-0-00	1	stoppino	wick	mèche						
17	304457-0-10	1	molla	spring	ressort						
18	722411-2-00	1	vite	screw	vis						
19	727082-0-00	1	vite	screw	vis						
20	746002-2-00	1	dado	nut	écrou						
21	304463-0-10	1	vite	screw	vis						
22	304453-2-10	1	attacco a spina	coupling and pin	raccord et goupille						
23	304456-0-11	1	asta	rod	tige						
24	304459-0-10	1	asta	rod	tige						
25	304432-4-20	1	settore flangia destra	sector right flange	secteur flasque droit						
26	304086-0-10	1	perno	pin	pivot						
27	304430-0-10	1	corpo frizione	clutch body	corps friction						
28	304589-0-00	2	settore	sector	secteur						
29	203928-0-20	1	flangia	flange	flasque						
30	724460-0-00	10	vite	screw	vis						
31	722483-2-00	2	vite	screw	vis						
32	745803-2-00	2	vite	screw	vis						
33	704841-0-00	2	rondella	washer	rondelle						
34	202395-2-11	1	anello di registro	adjustment ring	bage de réglage						
35	304438-0-10	1	spalla sinistra	left support	support gauche						
36	304474-0-10	1	perno	pin	pivot						
37	304482-0-00	1	spina	pin	goupille						
38	304073-0-10	1	indice	index	indice						
39	201358-0-10	1	gabbia a rulli	needles cage	cage à aiguilles						
40	304436-0-10	1	anello	ring	anneau						
41	704216-2-00	2	rondella	washer	rondelle						
42	729043-2-00	2	vite	screw	vis						
43	744553-0-00	1	vite	screw	vis						
44	700212-0-00	1	anello elastico	spring ring	anneau ressort						
45	304441-0-10	1	molla	spring	ressort						
46	304475-0-10	1	asta	rod	tige						
47	727014-2-00	4	vite	screw	vis						

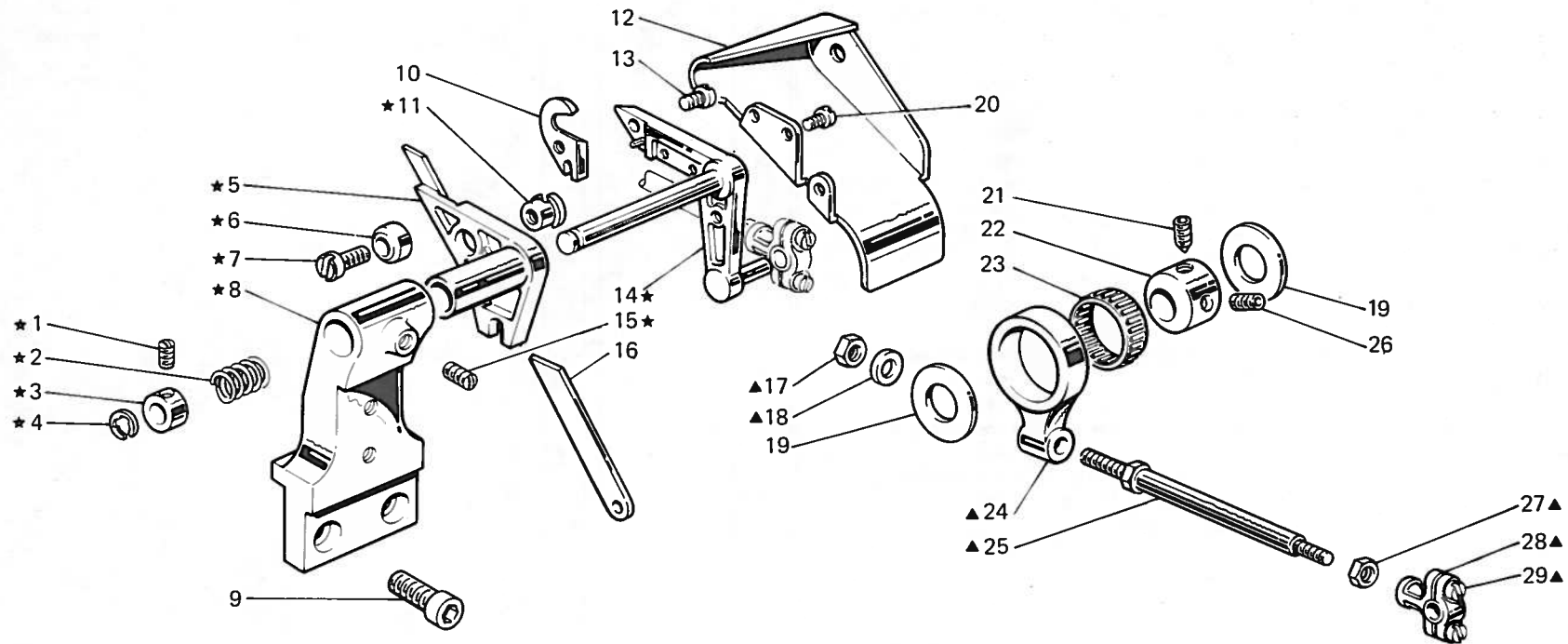


Fig. N. Abb. N.	Part. N. Piece N. Bestell N. Pieza N.	Qt. Anzahl	DESCRIZIONE	DESCRIPTION	DESCRIPTION
★	309380-4-01	1	porta coltello completo	knife holder assembly	porte-couteau complet
▲	302813-4-10	1	biella comando coltello compl.	knife con-rod assembly	bielle com. couteau compl.
1	745114-0-00	2	vite	screw	vis
2	302803-0-10	1	molla	spring	ressort
3	302859-0-10	1	anello	ring	anneau
4	700210-0-00	1	anello elastico	spring ring	anneau ressort
5	302804-2-11	1	porta coltello inferiore	lower knife holding	porte couteau inférieur
6	302864-0-10	1	scodellino	cup	cuvette
7	721475-2-00	1	vite	screw	vis
8	309373-2-00	1	supporto	support	support
9	722454-2-00	2	vite	screw	vis
10	302807-0-10	1	coltello superiore	upper knife	couteau supérieur
11	302806-0-10	1	anello	ring	anneau
12	302840-0-10	1	carterino	cover	carter
13	741642-2-00	1	vite	screw	vis
14	302801-3-11	1	porta coltello superiore	upper knife holding	porte couteau supérieur
15	727056-0-00	1	vite	screw	vis
16	302808-0-10	1	coltello inferiore	lower knife	couteau inférieur
17	746204-2-00	1	dado	nut	écrou
18	703208-0-00	1	rondella elastica	spring washer	rondelle élastique
19	703825-0-00	2	rondella	washer	rondelle
20	721412-2-00	3	vite	screw	vis
21	730023-2-00	1	vite	screw	vis
22	308762-2-00	1	eccentrico compl. con viti	eccentric ass. with screw	excentrique complet avec vis
23	302857-0-10	1	gabbia a rullini	needles cage	cage à aiguilles
24	302812-0-10	1	giunto	joint	joint
25	302846-0-10	1	tirante	tie-rod	tirant
26	729013-2-00	1	vite	screw	vis
27	302708-0-01	1	dado	nut	écrou
28	302844-3-10	1	testa di biella	con-rod big end	tête de bielle
29	743243-2-00	2	vite	screw	vis
10	305671-2-00	1	SOLO A RICHIESTA coltello sup. con placchetta in lega dura	ONLY ON REQUEST upper knife with plate hard alloy	SEULEMENT SUR DEMANDE couteau supérieur avec plaquette en alliage dur
12	302869-0-10	1	carterino	cover	carter
16	305670-2-00	1	coltello inf. con placchetta in lega dura	lower knife with plate hard alloy	couteau supérieur avec plaquette en alliage dur

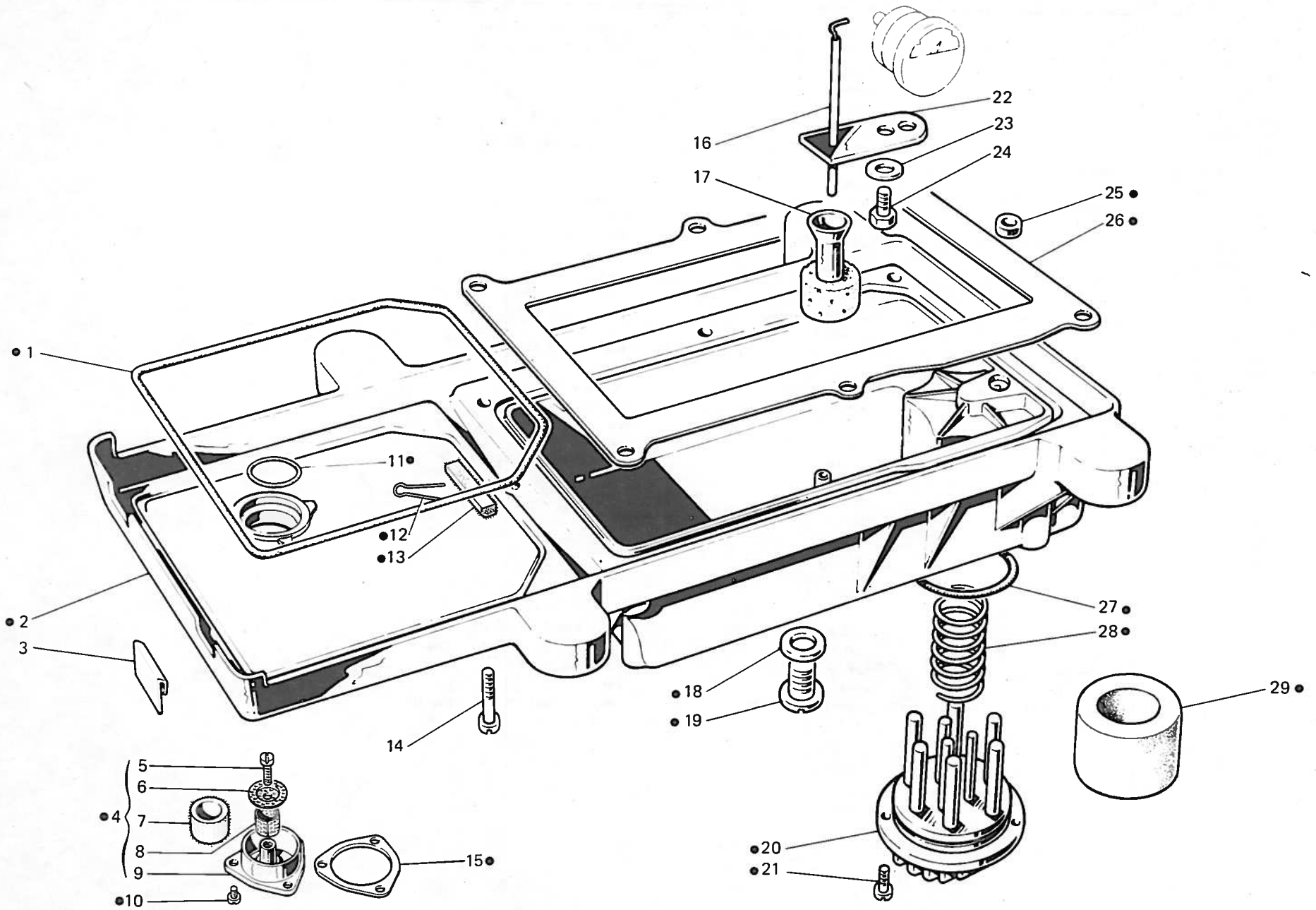


Fig. N. Abb. N.	Part. N. Piece N. Bestell N. Pieza N.	Qt. Anzahl	DESCRIZIONE	DESCRIPTION	DESCRIPTION
●	308589-4-10	1	bacinella olio completa	oil sump assembly	réservoir huile complet
1	308125-0-01	1	guarnizione	gasket	garniture
2	308577-2-20	1	bacinella	oil sump	réservoir
3	308002-0-00	2	piastrina per bacinella	sheet for oil sump	plaquette pour réservoir
4	308331-4-00	1	tappo completo	plug assembly	bouchon complet
5	721484-2-00	1	vite	screw	vis
6	308209-0-00	1	dischetto	disc	disque
7	308206-0-00	1	filtro-olio	oil filter	filtre huile
8	308210-0-00	1	cilindretto	cylinder	cylindre
9	308208-0-00	1	tappo	plug	bouchon
10	722411-2-00	3	vite	screw	vis
11	701134-0-00	1	guarnizione	gasket	garniture
12	308957-0-00	1	clip	clip	clip
13	308213-0-00	1	feltro	felt	feutre
14	722453-2-00	6	vite fiss. bacinella	oil sump fixing screw	vis blocage réservoir
15	308179-0-00	1	guarnizione	gasket	garniture
16	308379-0-00	1	astina livello olio	stick	jauge niveau huile
17	308228-2-00	1	galleggiante	float	floatteur
18	705977-0-00	1	rondella	washer	rondelle
19	206564-0-00	1	tappo	plug	bouchon
20	206560-0-10	1	coperchio	cover	couvercle
21	722063-2-00	2	vite	screw	vis
22	308226-0-02	1	guida astina	guide for stick	guide barre
23	703003-0-00	1	rondella elastica	spring washer	rondelle élastique
24	740240-0-00	1	vite	screw	vis
25	308113-0-00	1	anello	ring	anneau
26	311395-0-00	1	guarnizione	gasket	garniture
27	701051-0-00	1	guarnizione	gasket	garniture
28	206545-0-00	1	molla a spirale	spring	ressort
29	206559-0-01	1	filtro olio	oil filter	filtre huile

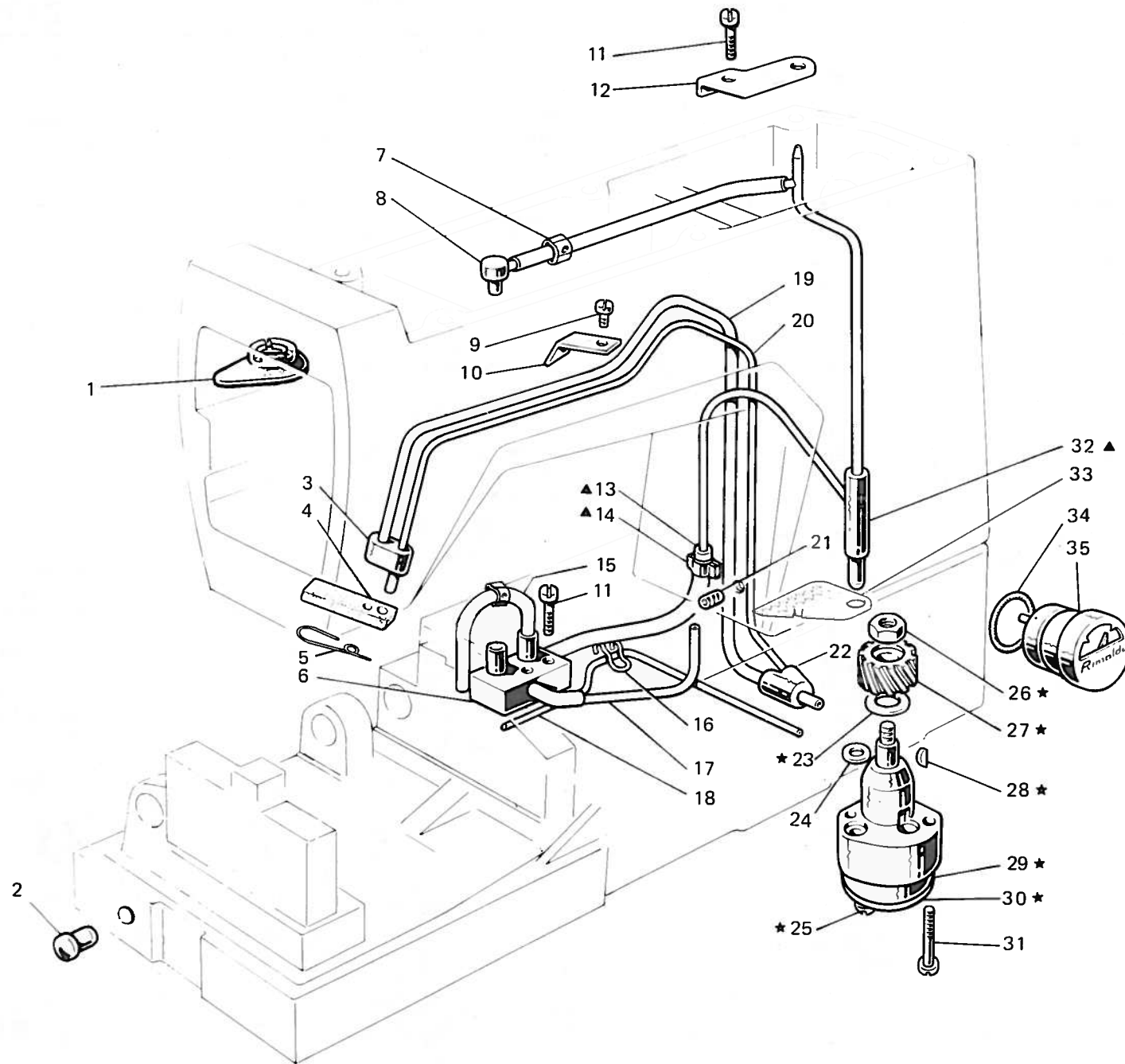


Fig. N. Abb. N.	Part. N. Piece N. Bestell N. Preza N.	Qt. Anzahl	DESCRIZIONE	DESCRIPTION	DESCRIPTION
★	308105-4-03	1	pompa olio completa	oil pump assembly	pompe à huile complet
▲	310500-4-00	1	raccordo mandata olio compl.	pipe connection oil delivery ass.	raccord envoi huile compl.
1	308215-0-00	1	protezione olio	oil protection	protection huile
2	202398-0-10	1	tappo	plug	bouchon
3	308123-0-00	1	raccordo superiore	upper pipe connection	raccord supérieur
4	307991-0-00	1	feltro	felt	feutre
5	307990-0-00	1	molletta	spring	ressort
6	308114-2-02	1	distributore	distributor	distributeur
7	308040-2-00	1	tubetto	pipe	tube
8	308214-0-00	1	raccordo mandata olio	pipe connection oil delivery	raccord envoi huile
9	721424-2-00	1	vite	screw	vis
10	308184-0-00	1	fascetta	clamp	bride
11	721514-0-00	3	vite	screw	vis
12	308104-0-00	1	piastrina	plate	plaque
13	308207-0-00	1	tubetto	pipe	tube
14	308043-0-00	1	fascetta	clamp	bride
15	310561-2-00	1	tubetto	pipe	tube
16	308211-0-00	2	clip	clip	clip
17	790315-0-00	1	tubetto	pipe	tube
18	790325-0-00	1	tubetto	pipe	tube
19	790342-0-00	1	tubetto recupero olio	pipe	tube
20	790242-0-00	1	tubetto recupero olio	pipe	tube
21	729032-2-00	1	vite	screw	vis
22	308185-0-00	1	raccordo inferiore	lower pipe connection	raccord inférieur
23	704813-0-00	1	rondella	washer	rondelle
24	701004-0-00	1	anello di tenuta	retainer ring	baguë d'étanchéité
25	741082-2-00	2	vite	screw	vis
26	733507-0-00	1	dado	nut	écrou
27	206555-0-00	1	ingranaggio	gear	engrenage
28	206557-0-00	1	chiavetta	key	clé
29	308110-3-02	1	corpo pompa aspirante	suction pump body	corps pompe admission
30	308111-0-00	1	coperchio pompa	pump cover	couvercle pompe
31	741092-0-00	2	vite fissaggio pompa	screw	vis
32	308180-2-01	1	raccordo mandata olio	pipe connection oil delivery	raccord envoi huile
33	305666-0-00	1	lamierino di protezione	sheet	plaque
34	701032-0-00	1	anello di tenuta	circlip	circlip
35	206669-2-02	1	indicatore livello olio	oil level gauge	indicateur niveau huile

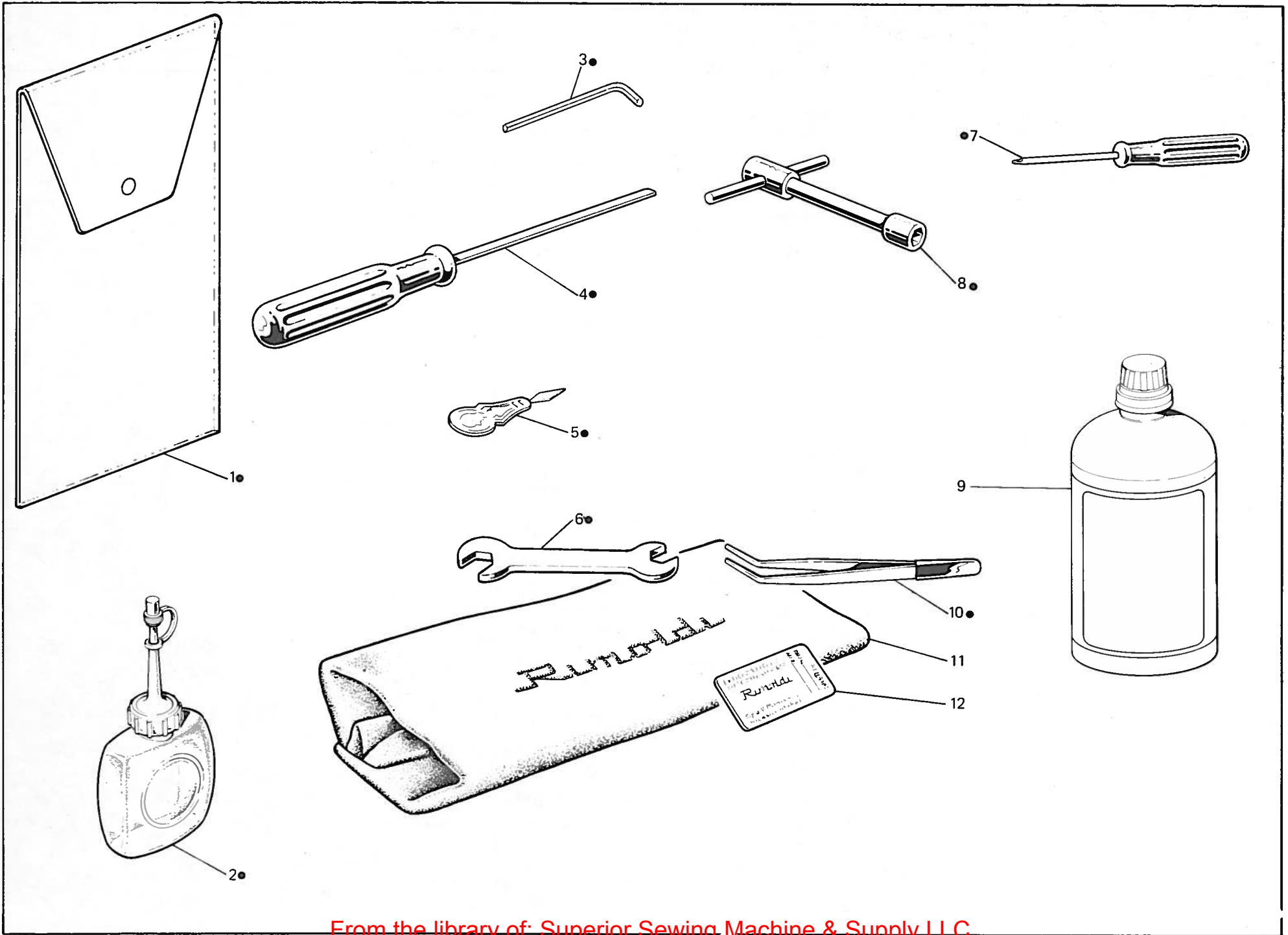


Fig. N. Abb. N.	Part. N. Piece N. Bestell N. Pieza N.	Qt. Anzahl	DESCRIZIONE	DESCRIPTION	DESCRIPTION
●	991408-4-02	1	busta accessori completa	accessories envelope assembly	envelope accessoires complète
1	991415-0-00	1	busta accessori	accessories envelope	envelope accessoires
2	990175-0-10	1	oliatore	oiler	graisseur
3	990474-0-11	1	chiave esagonale da 1,5 mm	1,5 mm hexagonal key	clé hexagonale de 1,5 mm
4	990723-0-00	1	cacciavite medio	screw-driver	tournevis moyen
5	990188-0-10	1	infila aghi	needles threading	enfiles aiguilles
6	990193-0-00	1	chiave da 5-7 mm	5-7 mm key	clé de 5-7 mm
7	990069-0-00	1	cacciavite piccolo	screw driver	petite tournevis
8	990587-0-11	1	chiave a tubo da 9 mm	9 mm key	clé à tube de 9 mm
9	991280-0-00	1	lattina olio	oil container	bidon huile
10	990176-0-10	1	pinza per infilatura	threading tweezers	pince pour enfilage
11	990578-0-13	1	cuffia protez. macchina	machine cover	couverture protection machine
12	★	1	bustina aghi	needles packet	paquette aiguilles
			★ per l'ordinazione della bustina citare lo stesso simbolo dell'ago montato sulla testa	★ to order packet of needles please specify symbol of needle fitted on machine	★ pour commander un sachet d'aiguille donner le symbol de l'aiguille montée sur la tête

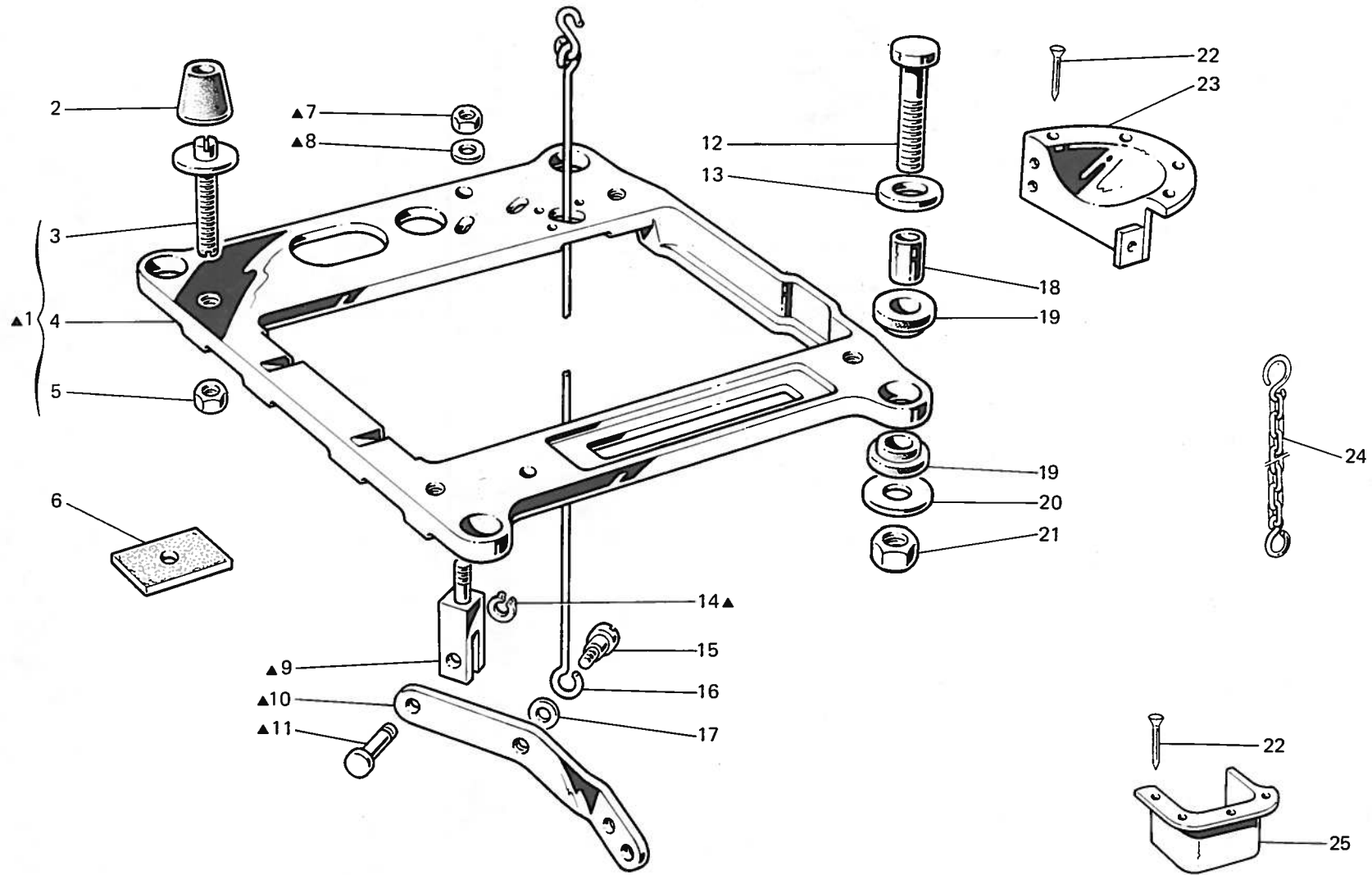


Fig. N. Abb. N.	Part. N. Bestell N. Piece N. Pieza N.	Qt. Anzahl	DESCRIZIONE	DESCRIPTION	DESCRIPTION
▲	991253-4-00	1	supporto testa completo	head support assembly	support tête complet
1	991251-4-00	1	supporto testa con perno	head support with pin	support tête avec pivot
2	990982-0-00	4	ammortizzatore	shock absorber	amortisseur
3	990694-0-11	4	perno	pin	pivot
4	991250-0-00	1	supporto testa	head support	support tête
5	733008-2-00	4	dado	nut	écrou
6	900203-0-10	4	ammortizzatore per tavola	shock absorber	amortisseur pour table
7	746409-2-00	1	dado	nut	écrou
8	704316-2-00	1	rondella	washer	rondelle
9	991256-0-00	1	supportino per leva	support for lever	support pour levier
10	991255-0-00	1	leva	lever	levier
11	991257-0-00	1	perno	pin	pivot
12	722905-2-00	4	vite	screw	vis
13	704346-2-00	4	rondella	washer	rondelle
14	700208-0-00	1	anello elastico	spring ring	anneau ressort
15	743541-2-00	1	vite	screw	vis
16	991259-3-00	1	tirante	tie-rod	tirant
17	704409-2-00	1	rondella	washer	rondelle
18	901102-0-00	4	distanziale	spacer	entretoise
19	901101-0-00	8	ammortizzatore	shock absorber	amortisseur
20	704345-2-00	4	rondella	washer	rondelle
21	733813-0-00	4	dado	nut	écrou
22	900201-0-10	13	chiodini	rivets	clous
23	990317-0-10	1	protezione volante	handwheel protection	protection volant
24	990179-4-11	1	catenella	chain	chainette
25	990675-0-10	1	bocchetta	cup	bouche

263-34-2DR-20
263-34-2DR-21
263-34-2DR-22
263-34-2DR-27

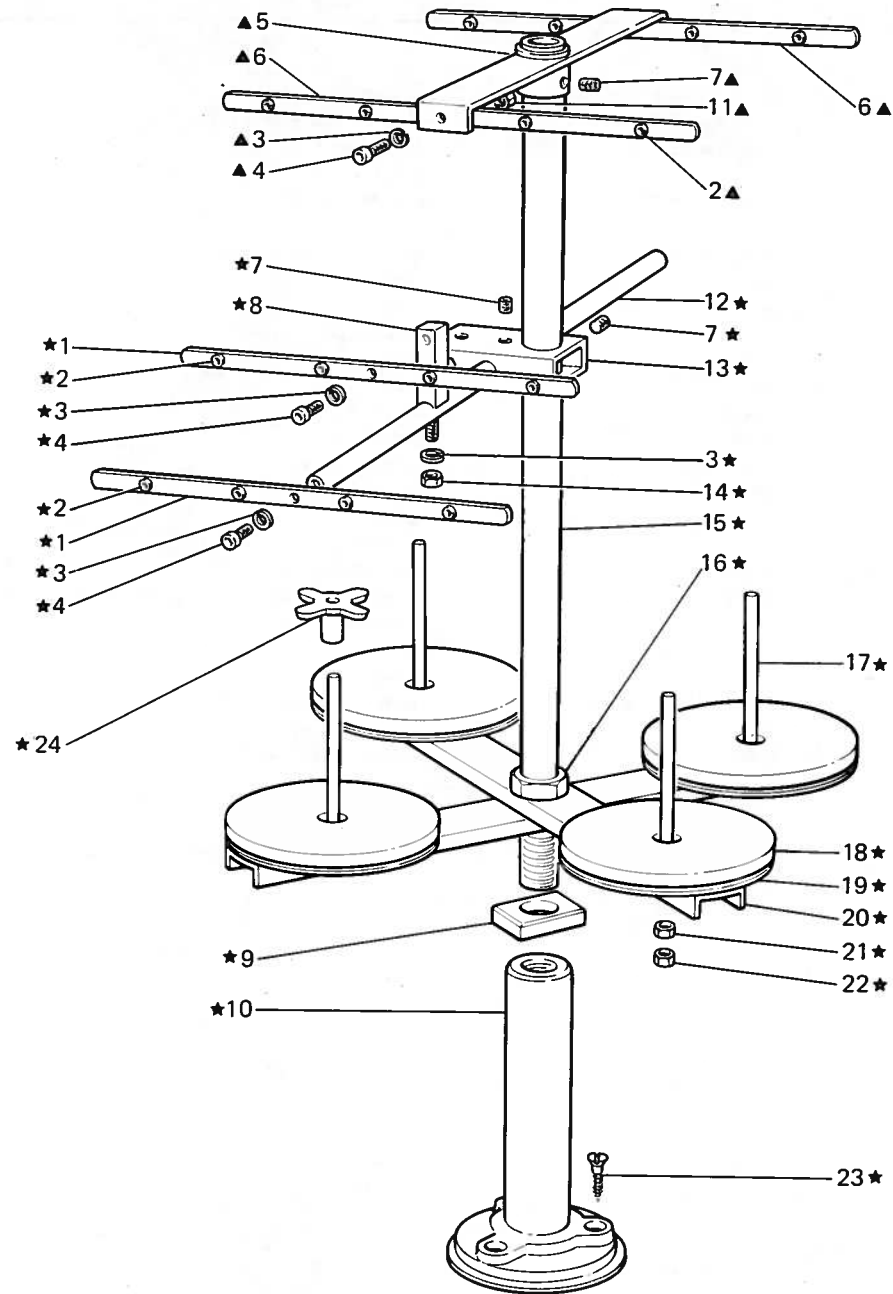


Fig. N. Abb. N.	Part. N. Piece N. Bestell N. Pieza N.	Qt. Anzahl	DESCRIZIONE	DESCRIPTION	DESCRIPTION
▲ ★	991120-5-01	1	porta bobine completo 3-4- fili	bobbin carrier 3-4- threads	porte bobine compl. 3-4- fils
▲	991194-4-00	1	telaio completo	frame assembly	bâti complet
1	991108-2-01	2	piattina	disc	plateau
2	991268-0-00	16	bussolina	buch	bague
3	703005-0-00	6	rondella elastica	spring washer	rondelle élastique
4	722431-2-00	6	vite	screw	vis
5	991247-2-00	1	traversa con mozzo	tie with hub	traverse avec moyeau
6	991126-0-10	2	piattina	disc	plateau
7	729034-2-00	3	vite	screw	vis
8	991269-2-00	1	supporto completo	support assembly	support complet
9	991172-0-00	2	distanziale	spacer	entretoise
10	991174-0-00	1	basetta	base	base
11	733505-2-00	2	dado	nut	écrou
12	991264-2-00	1	asta	rod	tige
13	991279-2-00	1	blocchetto	block	block
14	733806-2-00	1	dado	nut	écrou
15	991206-0-00	1	tubo	pipe	tube
16	733211-2-00	1	dado	nut	écrou
17	991111-2-00	4	astina con dadi	rod with nut	tigeavec écrou
18	991179-0-01	4	disco	disc	disque
19	991112-0-00	4	piatto	disc	plateau
20	991199-0-00	2	traversa	tie	traverse
21	733508-2-00	4	dado	nut	écrou
22	925433-0-00	4	dado	nut	écrou
23	731506-2-00	3	vite da legno	screw	vis
			SOLO A RICHIESTA	ONLY ON REQUEST	SEULEMENT SUR DEMANDE
24	991134-0-00	4	centrabobine	bobbin center	centre bobine

263-34-3DR-16
263-34-3DR-23

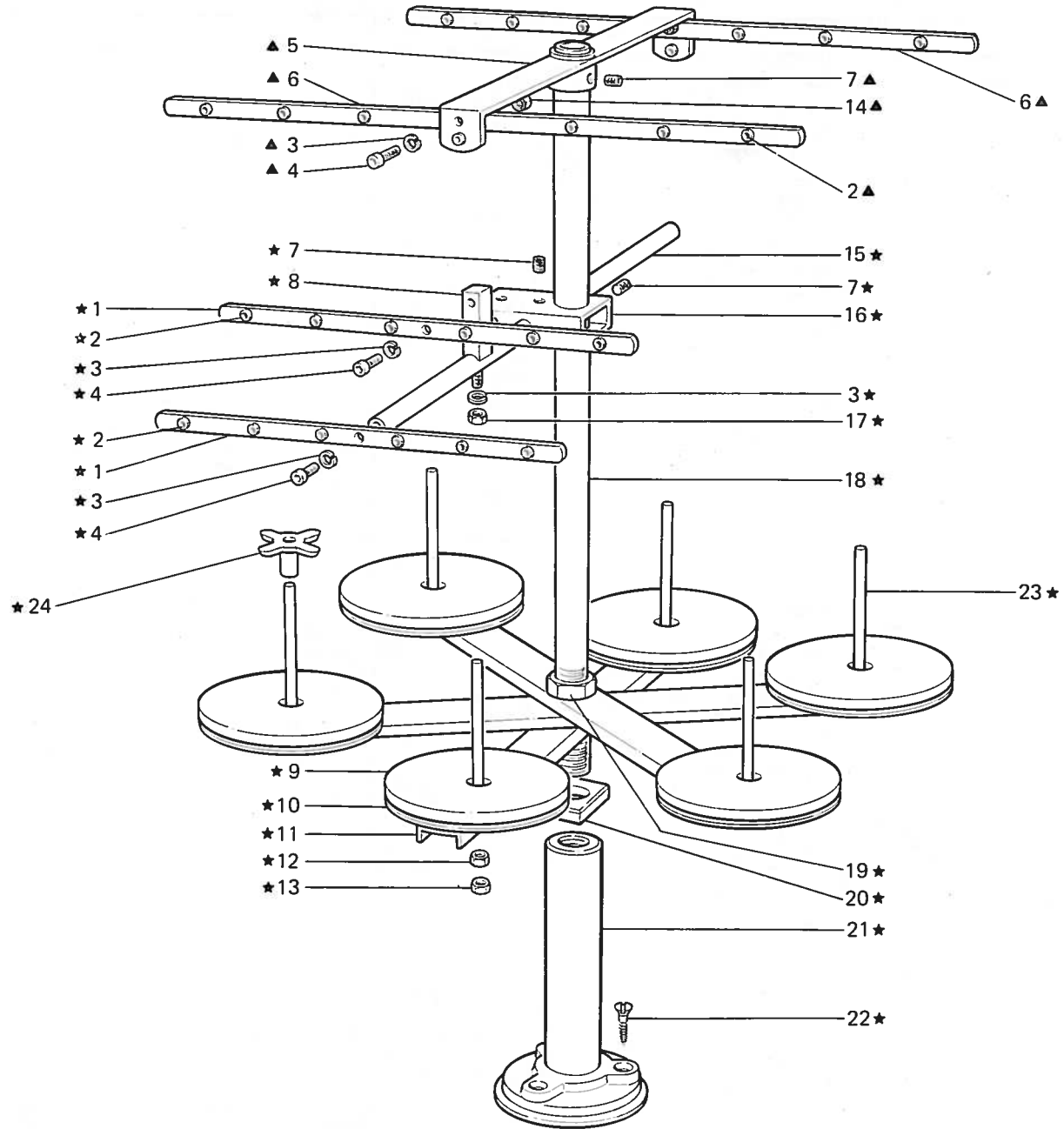
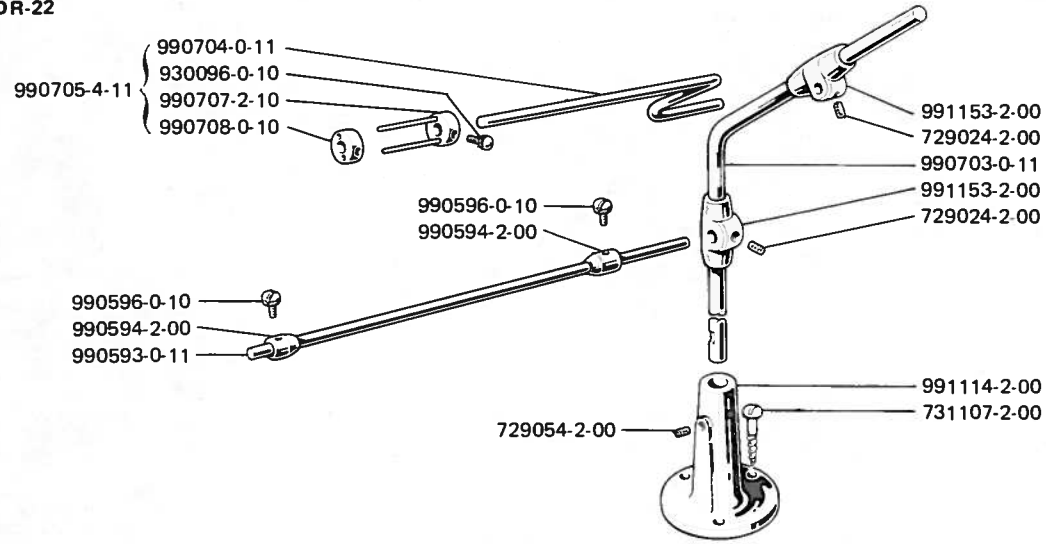


Fig. N. Abb. N.	Part. N. Piece N. Bestell N. Pieza N.	Qt. Anzahl	DESCRIZIONE	DESCRIPTION	DESCRIPTION
★ ▲	991135-5 01	1	porta bobine completo 5 - 6 fili	bobbin carrier assembly 5 - 6 threads	porte bobine complet 5 - 6 fils
▲	991193-4 00	1	telaietto completo	frame assembly	bâti complet
1	911137-2-02	2	piattina	plate	plaque
2	991268-0-00	26	bussolina	bush	bague
3	703005-0-00	6	rondella elastica	spring washer	rondelle elastique
4	722431-2-00	6	vite	screw	vis
5	991246-2-00	1	traversa con mozzo	tie	traverse
6	991143-0-10	2	piattina	plate	plaque
7	729034-2-00	4	vite	screw	vis
8	991269-2-00	1	supporto completo	support assembly	support complet
9	991179-0-01	6	disco	disc	disque
10	991112-0-00	6	piatto	plate	plaque
11	991199-0-00	3	traversa	tie	traverse
12	733508-2-00	6	dado	nut	écrou
13	925433-0-00	6	dado	nut	écrou
14	733505-2-00	2	dado	nut	écrou
15	991264-2-00	1	asta	rod	tie
16	991279-2-00	1	blocchetto	block	bloc
17	733806-2-00	1	dado	nut	écrou
18	991206-0-00	1	tubo	pipe	tube
19	733211-2-00	1	dado	nut	écrou
20	991172-0-00	3	distanziale	spacer	entretoise
21	991174-0-00	1	basetta	base	base
22	731506-2-00	3	vite da legno	screw	vis
23	991111-2-00	6	astina	rod	tie
24	991134-0-00	6	SOLO A RICHIESTA centrabobine	ONLY ON REQUEST bobbin centre	SEULEMENT SUR DEMANDE centre-bobines

990709-4-12

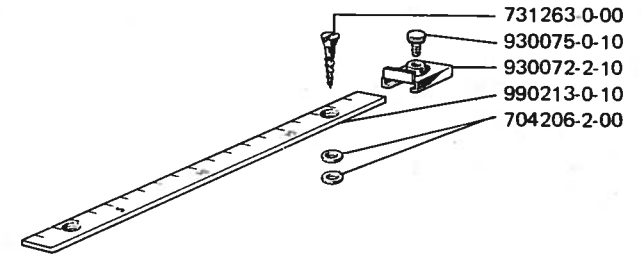
263-34-2DR-20
263-34-2DR-21
263-34-2DR-22



990214-4-11

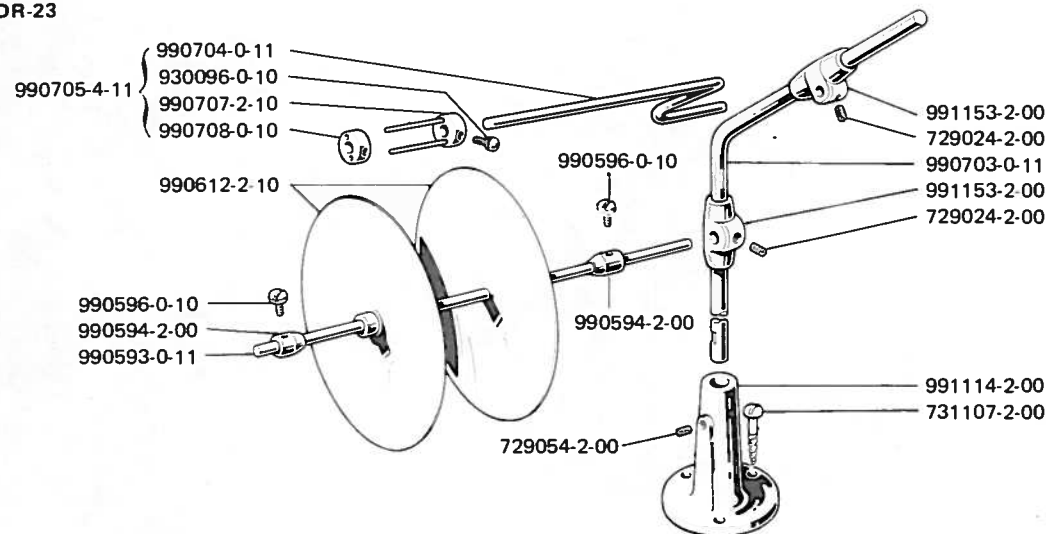
263-34-2DR-21

SOLO A RICHIESTA
ONLY ON REQUEST
SEULEMENT SUR DEMANDE



991325-4-00

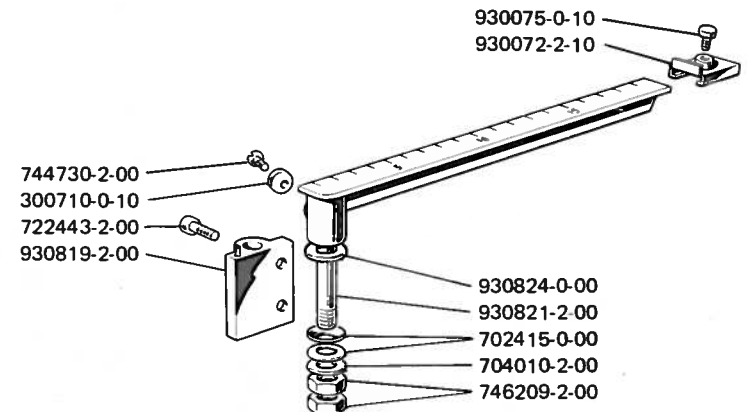
263-34-2DR-27
263-34-3DR-16
263-34-3DR-23



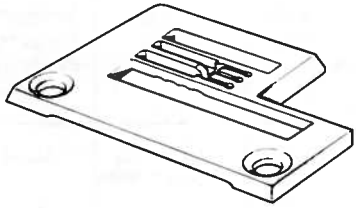
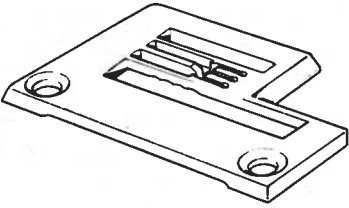
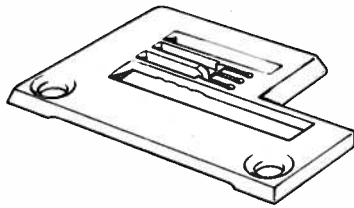
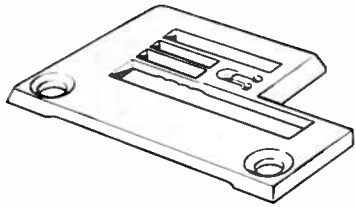
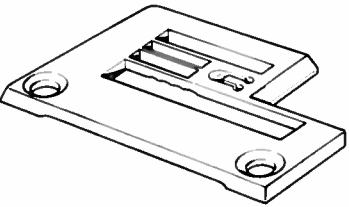
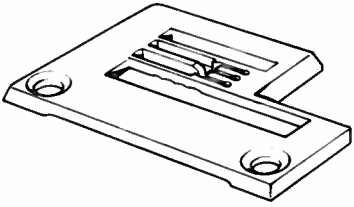
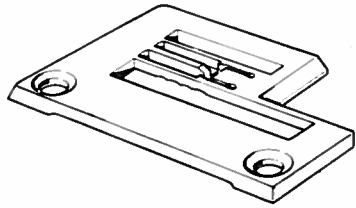
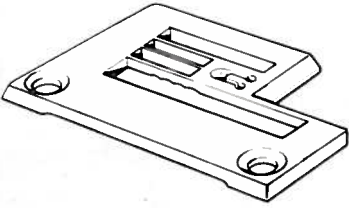
930820-4-00

263-34-2DR-21

SOLO A RICHIESTA
ONLY ON REQUEST
SEULEMENT SUR DEMANDE



ORGANI DI CUCITURA							SEWING PARTS					ORGANES DE COUTURE				
R = A RICHIESTA							ON REQUEST					SUR DEMANDE				
Testa Head Tête	Placca d'ago Needle plate Plaque à aiguille	Griffa princ. Main feed-dog Griffe princ.	Griffa diff. Diff. feed-dog Griffe diff.		Piedino Presserfoot Pied-presseur	Coltello sup. Upper knife Couteau sup.	Coltello inf. Lower knife Couteau inf.	Crochet sup. Upp. looper Crochet sup.	Crochet inf. Low. looper Crochet inf.	Guida Guide Guide	Morsetto aghi Needles clamp Porte-aiguilles	Aghi Needles Aiguilles				
263-34-2DR-20	302811-0-10 3,5	302796-0-10 1,5	302798-0-10 1,5		304407-3-11 302873-3-12 R	302807-0-10 305671-2-00 R <i>We have</i>	302808-0-10 305670-2-00 R <i>Yes</i>	308080-0-00 <i>✓</i>	302057-0-13 <i>✓</i>	310040-4-00 310043-4-00 R	309803-4-00 3,5	766000-1-80				
263-34-2DR-21	302753-0-10 2,5	302796-0-10 1,5	302798-0-10 1,5		304408-3-11	302807-0-10 305671-2-00 R	302808-0-10 305670-2-00 R	308080-0-00	302057-0-13	310040-4-00 310043-4-00 R	309805-4-00 2,5	766000-1-80				
263-34-2DR-22	302754-0-10 3	302796-0-10 1,5	302798-0-10 1,5		304407-3-11 302873-3-12 R	302807-0-10 305671-2-00 R	302808-0-10 305670-2-00 R	308080-0-00	302057-0-13	310040-4-00 310043-4-00 R	309804-4-00 3	766000-1-80				
263-34-2DR-27	302810-0-10 4,5	302795-0-10 1,5	302797-0-10 1,5		304488-3-11	302807-0-10 305671-2-00 R	302808-0-10 305670-2-00 R	308080-0-00	302057-0-13	310040-4-00 310043-4-00 R	309806-4-01 4,5	766000-1-80				
263-34-3DR-16	302735-0-10 302738-0-00 R 6 6	302795-0-10 1,5	302797-0-10 1,5		304378-3-11 302882-3-02 R	302807-0-10 305671-2-00 R	302808-0-10 305670-2-00 R	308080-0-00	302057-0-13	310040-4-00 310043-4-00 R	309800-4-01 6	766000-1-90				
263-34-3DR-23	302774-0-10 302739-0-00 R 5 5	302795-0-10 1,5	302797-0-10 1,5		304485-3-11	302807-0-10 305671-2-00 R	302808-0-10 305670-2-00 R	308080-0-00	302057-0-13	310040-4-00 310043-4-00 R	309801-4-01 5	766000-1-90				

<p>302735-0-10 ✓</p> <p>263-34-3DR-16 Ⓞ</p>  <p>6</p> <p>UK</p>	<p>302738-0-00</p> <p>263-34-3DR-16</p>  <p>6</p> <p>Con linguetta per cuciture distese With chaining finger for flat seams Avec doigt mailleur pour coutures aplaties</p>	<p>302739-0-00</p> <p>263-34-3DR-23</p>  <p>5</p> <p>Con linguetta per cuciture distese With chaining finger for flat seams Avec doigt mailleur pour coutures aplaties</p>
<p>302753-0-10</p> <p>263-34-2DR-21</p>  <p>2,5</p>	<p>302754-0-10</p> <p>263-34-2DR-22</p>  <p>3</p>	<p>302774-0-10</p> <p>263-34-3DR-23</p>  <p>5</p>
<p>302810-0-10</p> <p>263-34-2DR-27</p>  <p>4,5</p>	<p>302811-0-10</p> <p>263-34-2DR-20 Ⓞ</p>  <p>3,5</p>	

302795-0-10



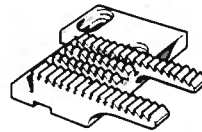
263-34-2DR-27
263-34-3DR-16
263-34-3DR-23



302796-0-10



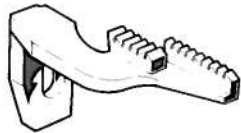
263-34-2DR-20
263-34-2DR-21
263-34-2DR-22



302797-0-10



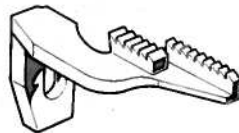
263-34-2DR-27
263-34-3DR-16
263-34-3DR-23



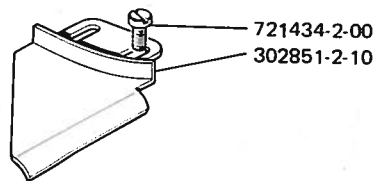
302798-0-10



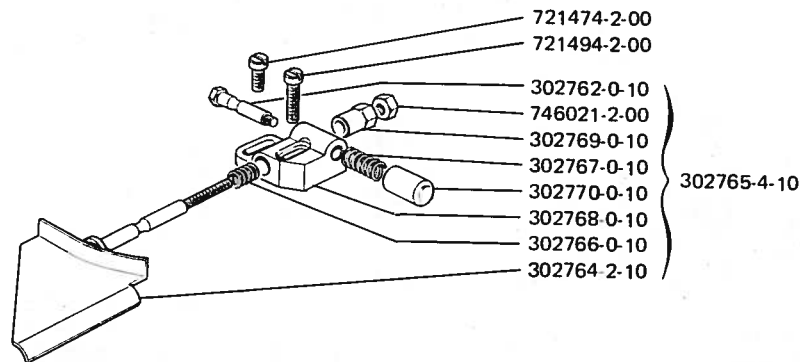
263-34-2DR-20
263-34-2DR-21
263-34-2DR-22



310040-4-00

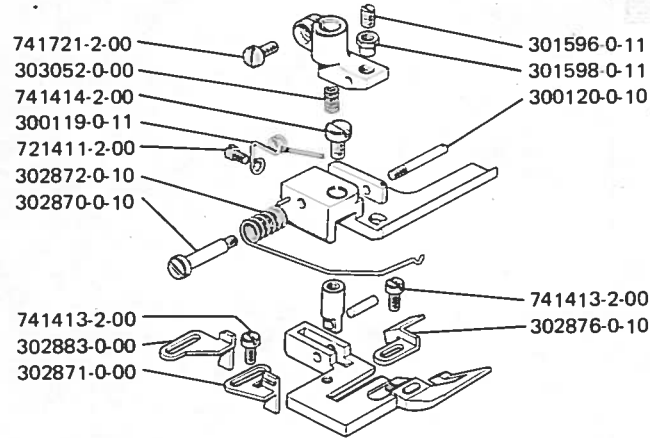


310043-4-00



302873-3-12

263-34-2DR-20
263-34-2DR-22

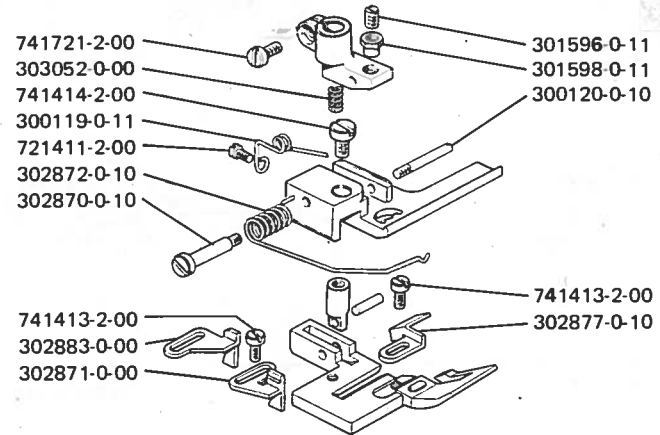


Per l'applicazione di pizzi rigidi con cucitura all'interno del bordo del pizzo distante 25 mm dal lato sinistro
For attaching non-elastic lace with a seam on an inner part of lace up to 25 mm from left hand edge
Pour l'application de dentelles rigides avec une couture au milieu de la dentelle jusqu'à une distance maximum de 25 mm du bord gauche

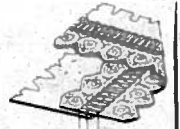


302882-3-02

263-34-3DR-16

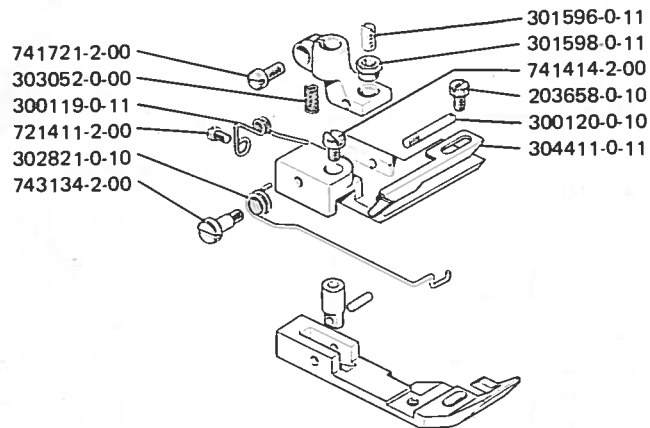


Per l'applicazione di pizzi rigidi con cucitura all'interno del bordo del pizzo distante 25 mm dal lato sinistro
For attaching non-elastic lace with a seam on an inner part of lace up to 25 mm from left hand edge
Pour l'application de dentelles rigides avec une couture au milieu de la dentelle jusqu'à une distance maximum de 25 mm du bord gauche

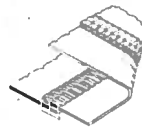


304378-3-11

263-34-3DR-16

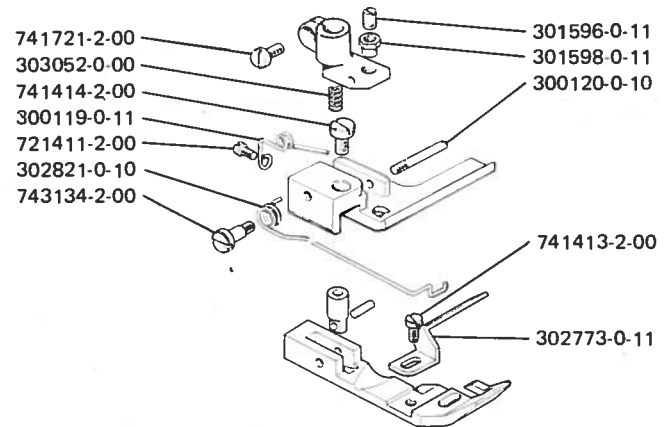


Per l'applicazione di elastici e pizzi elastici con larghezza max 40 mm
For attaching of elastics and elastics lace with width max 40 mm
Pour l'application d'élastiques et dentelles élastiques avec largeur max 40 mm



304407-3-11

263-34-2DR-20
263-34-2DR-22

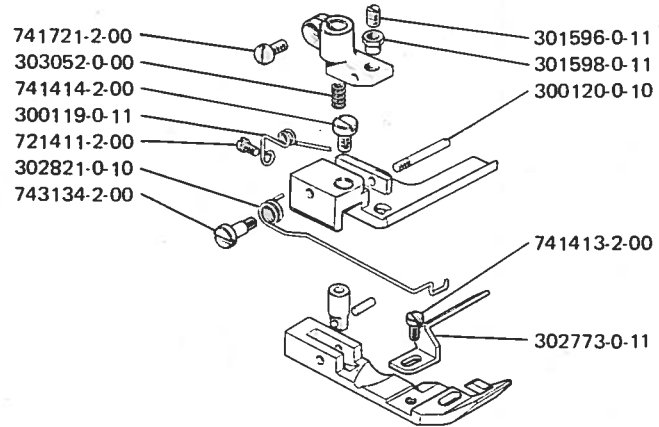


Per l'applicazione di elastici e pizzi elastici con larghezza max 40 mm
For attaching of elastics and elastics lace with width max 40 mm
Pour l'application d'élastiques et dentelles élastiques avec largeur max 40 mm



304408-3-11

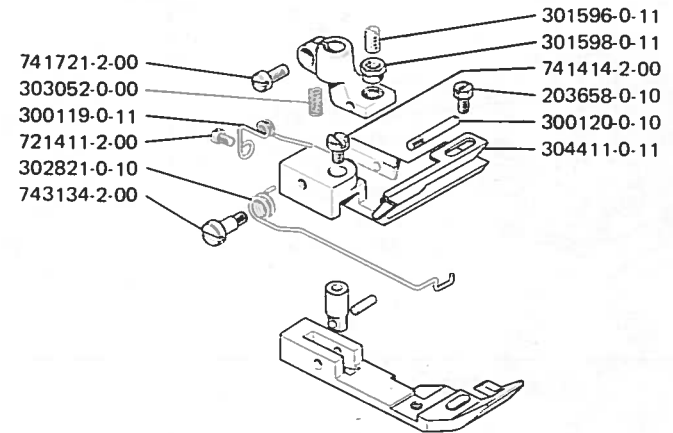
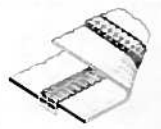
263-34-2DR-21



Per l'applicazione di elastici e pizzi elastici con larghezza max 40 mm
 For attaching of elastics and elastics lace with width max 40 mm
 Pour l'application d'elastiques et dentelles elastiques avec largeur max 40 mm

304485-3-11

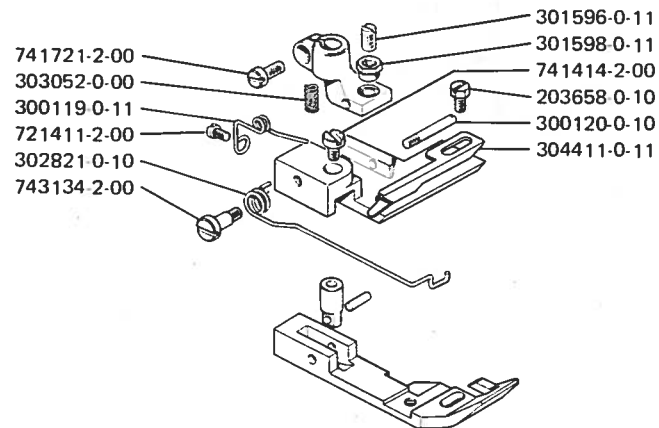
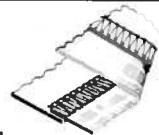
263-34-3DR-23



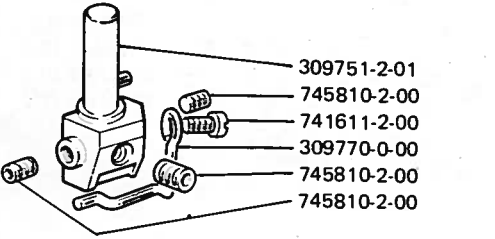
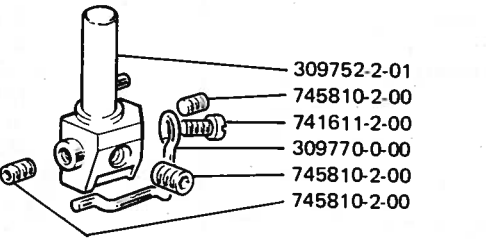
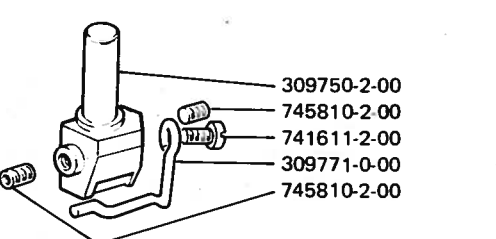
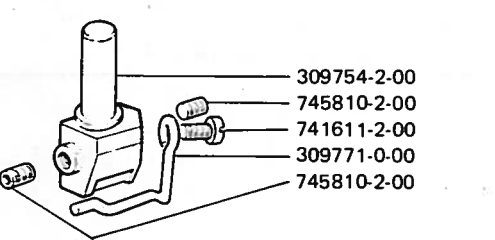
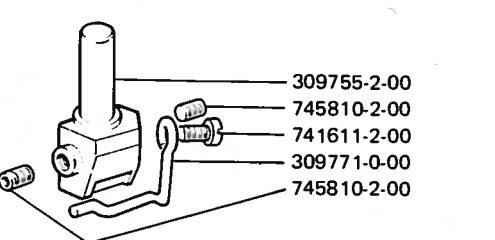
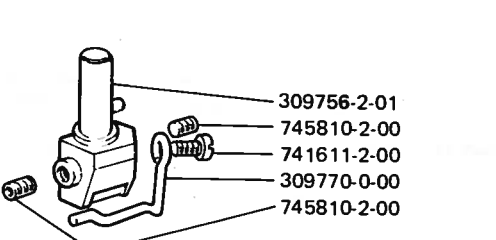

Per l'applicazione di elastici e pizzi elastici con larghezza max 40 mm
 For attaching of elastics and elastics lace with width max 40 mm
 Pour l'application d'elastiques et dentelles elastiques avec largeur max 40 mm

304488-3-11

263-34-2DR-27



Per l'applicazione di elastici e pizzi elastici con larghezza max 40 mm
 For attaching of elastics and elastics lace with width max 40 mm
 Pour l'application d'elastiques et dentelles elastiques avec largeur max 40 mm

<p>309800-4-01</p> <p>263-34-3DR-16</p>  <ul style="list-style-type: none"> 309751-2-01 745810-2-00 741611-2-00 309770-0-00 745810-2-00 745810-2-00 	<p>309801-4-01</p> <p>263-34-3DR-23</p>  <ul style="list-style-type: none"> 309752-2-01 745810-2-00 741611-2-00 309770-0-00 745810-2-00 745810-2-00 	<p>309803-4-00</p> <p>263-34-2DR-20</p>  <ul style="list-style-type: none"> 309750-2-00 745810-2-00 741611-2-00 309771-0-00 745810-2-00
<p>309804-4-00</p> <p>263-34-2DR-22</p>  <ul style="list-style-type: none"> 309754-2-00 745810-2-00 741611-2-00 309771-0-00 745810-2-00 	<p>309805-4-00</p> <p>263-34-2DR-21</p>  <ul style="list-style-type: none"> 309755-2-00 745810-2-00 741611-2-00 309771-0-00 745810-2-00 	<p>309806-4-01</p> <p>263-34-2DR-27</p>  <ul style="list-style-type: none"> 309756-2-01 745810-2-00 741611-2-00 309770-0-00 745810-2-00
<p>766000-1-80</p> <p>263-34-2DR-20 263-34-2DR-21 263-34-2DR-22 263-34-2DR-27</p> 	<p>766000-1-90</p> <p>263-34-3DR-16 263-34-3DR-23</p> 